

SCALDAQUA PLUS 12S
SCALDAQUA PLUS 14S
SCALDAQUA PLUS 16S

Scaldaqua Plus

WALL HEATER WITH LOW GAS
EMISSION OF NO_x

Flame modulation



Scaldaqua Plus 16S

 PERFORMANCE 80,5%

 30 kW

 DOMESTIC WATER

 2,7 ÷ 16,0 L/min
Domestic hot water production

 METHANE OR GPL

 NOx 6 CLASS

 ENERGY CLASS



**NOx 6
CLASS**

Scaldaqua Plus

It is available in **13 kW, 14 kW, 16 kW versions** with very compact dimensions.

Energy saving

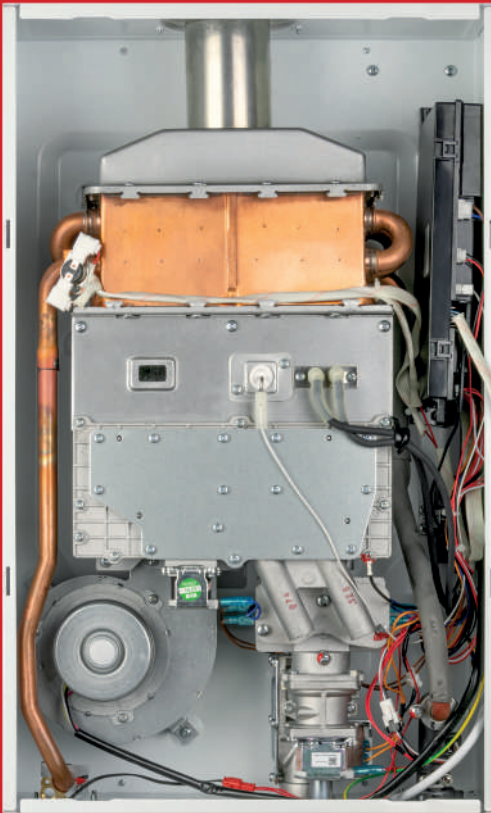
This product is made with advanced technologies called Strengthened Combustion (enhanced combustion) and Forced Combustion (enforced combustion). These two patents allow to use at best the thermal energy with high operational efficiency.

Ease of use

Thanks to the digital panel control with a large display, the user can communicate with the boiler easily and conveniently.

Scaldaqua Plus

WALL HEATER WITH LOW GAS
EMISSION OF NOx



Intelligent microprocessor control system

The main component of Scaldaqua Plus is one of the most advanced mechatronic technologies currently available. The CPU chipset can automatically analyse and quickly set the optimal parameters for the operation, according to various data such as the amount of running water, the pressure, and the actual water inlet temperature.



Digital control to automatically keep the outlet water temperature constant

This function continuously checks the temperature of the outlet water by means through a sensor and transfers the data to a microprocessor. This adjusts the amount of gas, and water supplied to keep automatically the outlet water temperature constant according to the value set by the user and the actual inlet water temperature.



Set the temperature with a touch

Simply touch the digital display to set the required temperature. The water temperature can be set between 35°C and 65°C, in order to satisfy different requirements with maximum ease of use.



Multiple safety protections

This product has various safety protection, such as:

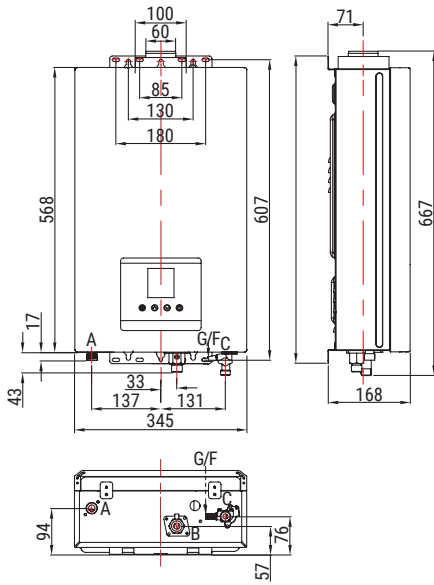
- Self-control system protection
- Auto-shutdown protection
- Overheating protection
- Protection against accidental power failure
- Fan failure protection
- Electrical overload protection
- Current leakage protection
- Protection against excessive wind pressure
- Protection from excessive temperatures
- Timed protection

“AI” Intelligent Artificial Memory Function

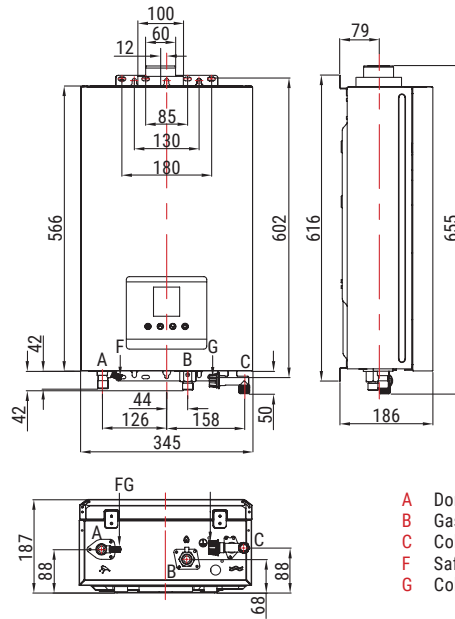
When it is restarted, the gas water heater can operate at the last previously set temperature. There is no need to set the temperature again: a great practical application of the ergonomics idea.

Technical data

12S Dimensions



14S - 16S Dimensions



- A Domestic hot water outlet 1/2"
- B Gas inlet 1/2"
- C Cold water inlet 1/2"
- F Safety valve discharge
- G Cold water filter (inlet)

Scaldaqua Plus		12S	14S	16S
Nominal heat input (Hi)	kW	24,0	28,0	30,0
Maximum water flow (increase to 25°)	kg/min	12,0	14,0	16,0
Device type		C 13-33	C 13-33	C 13-33
Gas type		2H-G20-20mbar / 3B-G30mbar / 3P-G31-37mbar		
Gas category		I12H3P / I12H3B / P		
Maximum water pressure (Pw)	bar	10	10	10
Minimum water pressure (Pw)	bar	0,2	0,2	0,2
Power supply		230 V ~ 50 Hz	230 V ~ 50 Hz	230 V ~ 50 Hz
Electrical protection level		IPX4	IPX4	IPX4
Method of ignition		Automatic pulse ignition controlled directly from water opening		
Destination countries		IT	IT	IT
Gas inlet connection		G 1/2	G 1/2	G 1/2
Cold water inlet connection		G 1/2	G 1/2	G 1/2
Hot water outlet connection		G 1/2	G 1/2	G 1/2
Diameter of the exhaust pipe of the combustible gases	mm	Ø 60 x Ø 100	Ø 60 x Ø 100	Ø 60 x Ø 100
ErP data				
Load profile		M	XL	XL
Energy efficiency of the water heating system (η_{wh})	%	78,0	84,0	80,5
Energy efficiency of the water heating system		A	A	A
Daily gas consumption (correct)	kWh	7,836	23,583	24,845
Daily electricity consumption (correct)	kWh	0,044	0,064	0,061
Annual fuel consumption	AFC (GJ)	6	18	19
Annual electricity consumption	AEC (kWh)	10	14	14
NOx	mg/kWh	47	29	47
Internal sound power level (L_{wa})	dB	61	61	63
NOx class		6	6	6
Product code		10102.2000.0/0 (GPL) 10112.2000.0/0 (MET)	10104.2009.0/0 (GPL) 10114.2009.0/0 (MET)	10106.2000.0/0 (GPL) 10116.2000.0/0 (MET)

Cod. 4823.0717.00 EN