

RINNOVA ADAPTIVE SV



User manual and
installation
instructions

CE

 **BIASI**

Congratulations on choosing this product.

Your modulating boiler is electronically adjusted and ignited.

- It is highly efficient
- It has a sealed chamber

Unlike traditional boilers, your condensing boiler makes it possible to recover energy by condensing the water vapour contained in the flue gas. This means that, with equal heat production, it **consumes less gas**, and the flue gas contains **fewer substances that are harmful** to the environment.

The materials used and the control systems offer safety, high levels of comfort and energy savings so you can appreciate the maximum advantages of autonomous heating.



IMPORTANT



- ✓ **The manual** must be read carefully to ensure rational and safe use of the boiler. It must be stored with care as it may be necessary to consult it in the future. If the unit is transferred to another owner, the manual must accompany the boiler.
- ✓ **The initial switch-on** must be carried out by an Authorised Service Centre. A list of these can be found at www.biasi.it/assistenza. The validity of the warranty starts from the date the product is purchased (see conditions listed on the specific certificate).
- ✓ **The manufacturer** declines all liability for translations of this manual from which incorrect interpretations may result. It cannot be considered responsible for failure to observe the instructions contained in this manual or the consequences of any actions that have not been specifically described.

DURING INSTALLATION

- ✓ After removing the packaging, make sure that the appliance **is not damaged**. If damaged **do not install or start up** the appliance as it may be dangerous. Contact your retailer or the nearest authorised service centre.
- ✓ **Installation** must be carried out by qualified personnel who are responsible for compliance with all applicable national and local laws and standards:
 - the suitability of the installation site;
 - the robustness of the wall intended for installation;
 - the distance of the appliance from walls and surrounding objects;
 - correct hook-up to the gas system;
 - correct and safe set-up of the of air supply and combustion products evacuation system;
 - correct hook-up to the electrical power supply and earth circuit;
 - compliance with the technical specifications.
- ✓ **The boiler** is used to heat water to a temperature that is lower than boiling point, and must be connected to a heating system and/or a domestic hot water distribution network that is compatible with its performance and power.

The boiler must be supplied with **Methane gas (G20) or LPG (Propane G31)**.
The condensate discharge must be connected to the residential condensate outlet duct and it must be possible to inspect it (UNI 7129-5 and related standards).

The boiler must only be used for the purpose for which it was designed. Furthermore:

- It must not be exposed to atmospheric agents.
- The appliance can be used by children no younger than 8 years old, by people with physical, sensory or cognitive disabilities, and by people lacking experience or the necessary knowledge, provided that they are supervised or have received instructions on the safe use of the appliance and understand the inherent risks. Do not let children play with the appliance. Do not allow unsupervised children to perform user maintenance and cleaning.
- Prevent incorrect use of the boiler.
- Avoid making adjustments to the sealed devices.
- Avoid contact with hot parts during operation.

DURING USE

- ✓ **It is prohibited and dangerous** to obstruct, even partially, the air intakes for the ventilation of the room where the boiler is installed (UNI 7129-2 and related standards);
- ✓ **Repairs** must only be carried out by authorised service centres using original spare parts. Therefore, in the case of a problem, deactivate the boiler only (see instructions).
- ✓ **If you smell gas:**
 - Do not turn on electric switches, the telephone or any other object that could create sparks.
 - Immediately open up the doors and windows to create an air current that cleans the room.
 - Close the gas cocks.
 - Request the intervention of professionally qualified personnel.
- ✓ **Before starting the boiler**, have a qualified professional check that the gas supply system:
 - Is perfectly sealed.
 - Is the right size for the required flow rate to the boiler.
 - Is equipped with the safety and control devices required by current standards;
 - Make sure that the installer has connected the safety valve drain to a outlet funnel.
The manufacturer is not responsible for damage caused by the water released when the safety valve opens, if it is not correctly connected to a drainage system.
 - Make sure that the installer has connected the condensate siphon drain to a specific outlet funnel (UNI 7129-5 and related standards), which must be implemented in order to avoid the condensate freezing and ensure it is correctly drained.
- ✓ **Near the boiler:**
 - there must be an all-pole disconnection switch to isolate the appliance from the electric power supply;
 - a gas shut-off valve to interrupt the flow of fuel.
- ✓ **Do not touch the unit** with wet or damp body parts and/or in bare feet.
- ✓ **If performing structural work or maintenance** near the flue gas ducts and/or the flue gas exhaust devices or their accessories, turn off the unit and, when the work is complete, have a qualified technician check the efficiency.



DANGER: Instructions marked with this symbol must be observed to prevent mechanical or generic accidents (e.g. injuries or bruises).



DANGER: Instructions marked with this symbol must be observed to avoid electrical accidents (electrocution).



DANGER: Instructions marked with this symbol must be observed to avoid the risk of fire or explosions.



DANGER: Instructions marked with this symbol must be observed to avoid heat-related accidents (burns).



WARNING: Instructions marked with this symbol must be observed to avoid malfunctions and/or material damage to the unit or other items.



WARNING: Instructions marked with this symbol contain important information that must be read carefully.



WARNING: Risk of cutting / stabbing. Protective gloves must be worn.

Appliance category: II2H3P (gas G20 20 mbar, G31 37 mbar)

Destination country: GB

This unit is compliant with the following European Directives:

- Regulation (EU) 2016/426 on appliances burning gaseous fuels
- Boiler Efficiency Directive: Article 7(2) and Annex III of 92/42/EEC
- Electromagnetic Compatibility Directive 2014/30/EU
- Low Voltage Directive 2014/35/EU
- Directive 2009/125/EC Ecodesign requirements of energy-related products
- Regulation (EU) 2017/1369 Energy labelling
- Delegated regulation (EU) no. 811/2013
- Delegated regulation (EU) no. 813/2013
- Delegated regulation (EU) no. 814/2013 (where applicable)

In order to constantly improve its products, the manufacturer reserves the right to change the data provided in this documentation at any time and without notice.

This documentation is provided for information purposes and cannot be considered as a contract with third parties.

TABLE OF CONTENTS

1 BOILER DESCRIPTION	6	5.14 Electrical connection of the DHW tank thermostat or NTC probe and setting	47
1.1 Assembly view	6	5.15 Anti-legionella function	49
1.2 Shut-off valves and cocks	6	5.16 Installing the external temperature sensor	52
1.3 Control panel	7	5.17 Electrical connection between the boiler and the external sensor	52
1.4 General LCD characteristics	8	5.18 Selecting the type of external sensor	52
2 USER INSTRUCTIONS	12	5.19 Electrical connection of the remote (optional)	53
2.1 Warnings	12	5.20 Enabling operation with the external sensor and setting the K coefficient	53
2.2 Ignition	12	5.21 Setting pump post-circulation	56
2.3 Heating circuit temperature	13	5.22 Selecting re-ignition frequency	57
2.4 Domestic hot water temperature	14	5.23 Examples of hydraulic systems with hydraulic separator (optional)	58
2.5 Shutdown	15	6 PREPARATION FOR SERVICE	60
3 USEFUL TIPS	16	6.1 Warnings	60
3.1 Filling the heating circuit	16	6.2 Sequence of operations	60
3.2 Heating	16	7 CHECKING THE GAS SETTING	62
3.3 Antifreeze protection	16	7.1 Warnings	62
3.4 Periodic maintenance	17	7.2 Gas operations and setting	62
3.5 External cleaning	17	7.3 Automatic calibration of the gas valve	64
3.6 Operating anomalies	17	8 GAS CONVERSION	66
3.7 Displays in INFO mode	18	8.1 Warnings	66
3.8 Remote fault code	19	8.2 Gas operations and setting	66
3.9 Flue gas probe and thermal fuse	19	9 MAINTENANCE	68
4 TECHNICAL SPECIFICATIONS	21	9.1 Warnings	68
4.1 Assembly view	21	9.2 Programming the maintenance period	68
4.2 Schematic diagram	22	9.3 Removing the body panels	69
4.3 Wiring diagram	24	9.4 Reinstalling the body panels	70
4.4 Hydraulic characteristics	25	9.5 Emptying the DHW circuit	70
4.5 Expansion vessel	25	9.6 Emptying the heating circuit	70
4.6 Technical data M300V.1616 SV	26	9.7 Cleaning the primary condensate exchanger and the burner	71
4.7 Technical data M300V.2025 SV	29	9.8 Check the pressure in the heating expansion tank	72
4.8 Technical data M300V.3035 SV	32	9.9 Cleaning the domestic hot water exchanger	72
5 INSTALLATION	35	9.10 Checking the flue gas expulsion duct	72
5.1 Warnings	35	9.11 Checking boiler efficiency	72
5.2 Precautions for installation	36	9.12 Checking the condensate discharge siphon	73
5.3 Installing the boiler bracket	36	9.13 Setting the boiler's chimney sweep function	73
5.4 Dimensions	37	9.14 Settings for changing the control board	75
5.5 Fittings	37	10 BOILER DISPOSAL AND RECYCLING	79
5.6 Boiler assembly	37		
5.7 Installing the DHW tank	38		
5.8 Installing the flue gas exhaust duct	39		
5.9 Flue gas outlet dimensions and lengths	40		
5.10 C63 exhaust-flue pipework	43		
5.11 Positioning the draught terminals	44		
5.12 Electrical connections	45		
5.13 Connecting a room thermostat or zone valves	46		

<i>Models</i>	<i>Boiler certification code</i>
RINNOVA ADAPTIVE 16SV	M300V.1616 SV
RINNOVA ADAPTIVE 20SV	M300V.2025 SV
RINNOVA ADAPTIVE 30SV	M300V.3035 SV

BOILER DESCRIPTION

1 BOILER DESCRIPTION

1.1 Assembly view

The boiler model and serial number are printed on the warranty certificate.

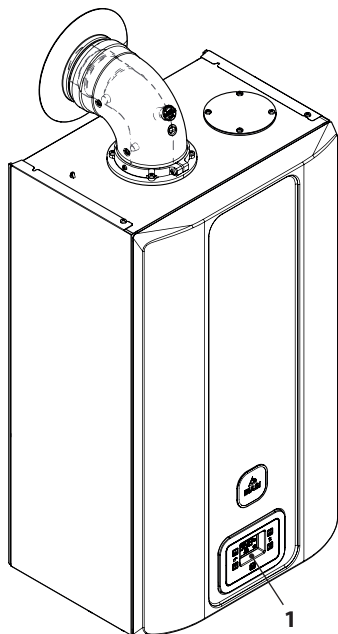


Figure 1.1

- 1 Control panel

1.2 Shut-off valves and cocks

- Install a shut-off cock for the DHW inlet.
- The figures in this manual only show one of the possible ways of installing cocks, pipes and fittings.

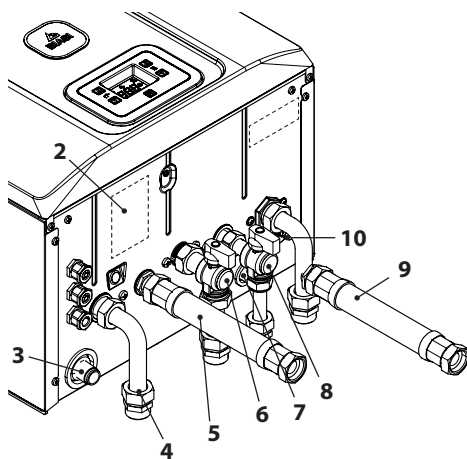


Figure 1.2

- 2 Gas supply label
- 3 Condensate outlet pipe
- 4 Heating delivery pipe
- 5 Tank coil delivery pipe
- 6 Gas cock
- 7 Heating circuit safety valve discharge pipe
- 8 Heating circuit filling cock
- 9 Tank coil and heating return pipe
- 10 Heating circuit drain cock

BOILER DESCRIPTION

1.3 Control panel

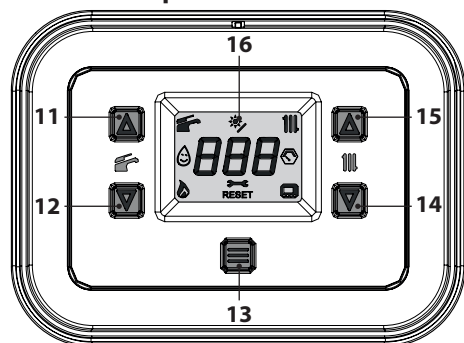


Figure 1.3

- 11 Domestic hot water temperature increase button
- 12 Domestic hot water temperature decrease button
- 13 Reset/Stand-by/Winter/Summer button
- 14 Heating temperature decrease button
- 15 Heating temperature increase button
- 16 LCD display



The RESET that restores all parameters to the factory settings occurs only by setting "parameter P30=04". When the reset is complete, this is shown by all the symbols on the display turning on.

BOILER DESCRIPTION

1.4 General LCD characteristics

For the boiler technical specifications, consult the section "TECHNICAL SPECIFICATIONS" on page 21.

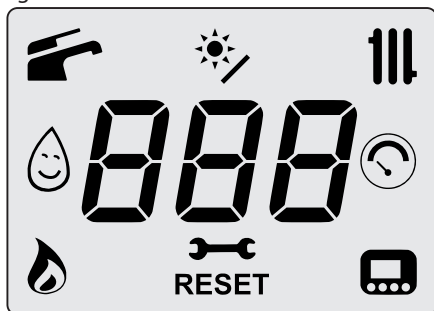


Figure 1.4

KEY







	All symbols with lines radiating from them indicate that the symbol is flashing.
	Stays on: DHW function enabled. Flashing: DHW function in progress.
	Constantly illuminated: solar control unit connected. Flashing: solar pump operating.
	Stays on: heating function enabled (winter). Flashing: heating function in progress.
	Constantly illuminated: 3 star preheating function active. Flashing: 3 star preheating function in progress.
	Stays on: for 15s only after system loading. Flashing: in the case of low system pressure or if viewing the pressure from the INFO menu.
	Stays on: flame present Flashing: drain upon ignition in progress.











	Stays on: maintenance due pre-warning. Flashing: maintenance required or maintenance due.
RESET	Stays on: lockout error. The boiler can be restarted by the user, by pressing the reset button.
	Stays on: remote control connected. Flashing: request from remote control in progress.

LCD SIGNALS

LCD	FUNCTION
E01 + RESET	Safety lockout due to failed ignition.
E02 + RESET	Lockout due to safety thermostat.
E03 + RESET	Generic lockout.
E04 +	Pump circulation failure, insufficient system pressure or water pressure sensor not connected.
E05 +	Control anomaly: fan.
E06 +	NTC heating delivery probe failure.
E07 +	DHW NTC probe failure / Hot water tank sensor failure.
E08 +	External NTC probe failure.
E10 +	Lockout due to tripping of the flue gas probe and thermal fuse.



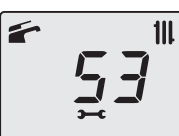
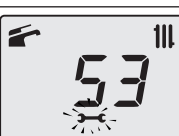
BOILER DESCRIPTION








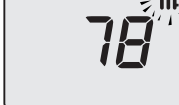
LCD	FUNCTION
E11 + RESET	Parasite flame.
E12 + 	Return NTC probe failure.
E13 + 	Delta T M-R > 40K.
E14 + RESET	Pump fault or primary temperature above 105°C.
E14 + 	Temperature gradient circulation failure (>2K/s).
E18 + RESET	No ΔT heating at start-up.
E19 + 	Auxiliary Input Probe Anomaly.
E20 + RESET	EVG lockout (valve piloting hardware failure).
E21 + RESET	EVG lockout (valve control Relay Failure).
E22 + RESET	EVG lockout (flame after closing valve Ref. EVG).
E23 + 	Gas valve modulator disconnected.
E24 + 	Anomaly due to probable chimney obstruction.
E25 + RESET	Flame loss for more than 6 consecutive times.

LCD	FUNCTION
E26 + 	Maximum deviation fault between the 2 heating NTC probes.
E40 + 	Incorrect mains frequency detected.
E42 + 	Buttons fault.
E44 + RESET	Fault of cumulative gas valve timeout without flame.
E50 + 	OT communication fault.
E62 + 	Calibration request.
E65 + 	System fails to control combustion and exits modulator control parameters.
E68 + 	Probably low gas pressure.
E77 + 	System out modulator control parameters.
E78 + 	Possible low gas pressure.
E79 + 	System out modulator control parameters.
E89 + RESET	Internal error (usually hardware) or problems with the mains electrical supply (excessive distortion of waveform).


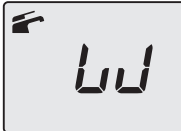
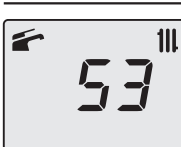
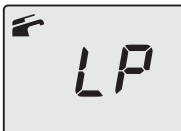

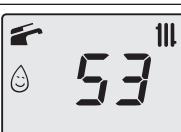



BOILER DESCRIPTION

USE

LCD	FUNCTION
E91 + RESET	Maximum number of lockouts reached.
E96	Incorrect network frequency.
E97	Power supply voltage low.
E99	Card not configured.
L1	Primary limitation in DHW mode.
- - -	Boiler stand-by, the dashes light up in sequence to simulate a scrolling motion (antifreeze protection activated).
	When powering ON the boiler, all icons and digits light up (for 2 seconds) to check operation of the LCD.
	If the pressure is not correct the value is displayed with the flashing symbol.
	Next maintenance due date (factory setting 12 months). In the event of an error, this has greater priority than maintenance due date.
	Maintenance overdue. In the event of an error, this has greater priority than maintenance due date.

LCD	FUNCTION
	Pump active for the post-circulation phase (flashing PO + flashing temperature).
	
	Boiler in antifreeze phase (flashing bP + flashing temperature).
	
	Boiler with DHW power request. The DHW temperature is displayed.
	Boiler with central heating request via room thermostat.
	Boiler with central heating power request with connected remote.
	Heating set temperature (all other symbols are disabled).

BOILER DESCRIPTION

LCD	FUNCTION
	DHW set temperature (all other symbols are disabled).
	Delay burner ignition due to system setting (flashing uu + flashing temperature).
	
	Boiler in chimney sweep function. To activate the chimney sweep function, set "parameter P32=1 ... 4". The following is displayed: LP = minimum DHW hP = minimum output in heating mode cP = maximum output in heating mode dP=maximum DHW. The transition occurs with buttons 15 (increase) and 12 (decrease) DHW temperature.
	
	3 star preheating function active. When the symbol  flashes, the function is in process.
	Constantly illuminated: solar control unit connected. When the symbol  flashes, the solar circuit pump is in operation.

USER INSTRUCTIONS

2 USER INSTRUCTIONS

2.1 Warnings



Check that the heating circuit is correctly filled with water, even if the boiler is only used for producing domestic hot water.

If it is not, proceed with filling; see section "Filling the heating circuit" on page 16.

All boilers have an antifreeze system that is activated if the temperature falls below 5°C; therefore **do not turn off the boiler**.

If the boiler is not used during cold periods, with the resulting risk of freezing, proceed as described in section "Antifreeze protection" on page 16.

2.2 Ignition

- The boiler cocks and the cocks used during installation must be open (Figure 2.1).



The heating circuit filling cock (8) must remain closed.

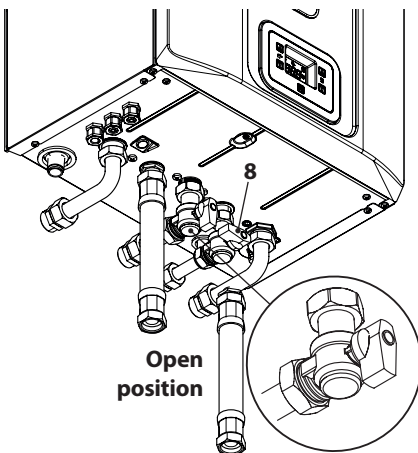
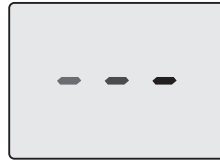


Figure 2.1

- Power the boiler by turning on the two-way

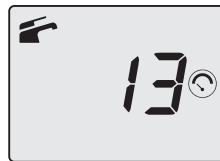
switch fitted during installation. The LCD display shows the boiler status (last stored) Figure 2.2.



Stand-by
The dashes light up in sequence to simulate a scrolling motion



Winter





Summer

Figure 2.2

When the boiler is in Winter or Summer mode and there is no heat request, the display shows the pressure in the heating circuit (e.g. 1.3 bar in Figure 2.2).

Heating/DHW operation

- Press button 13 for 1 seconds until both symbols  and  appear on the display (Figure 2.3).

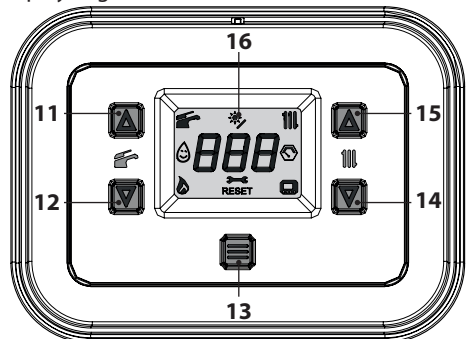




Figure 2.3

The LCD display shows the boiler temperature

USER INSTRUCTIONS

(primary circuit) and the symbols  and  (Figure 2.4).

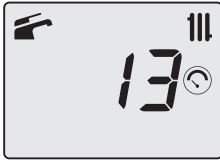



Figure 2.4

Operation with production of hot water only

- Press button 13 for 1 second until the symbol  appears on the display (Figure 2.5).

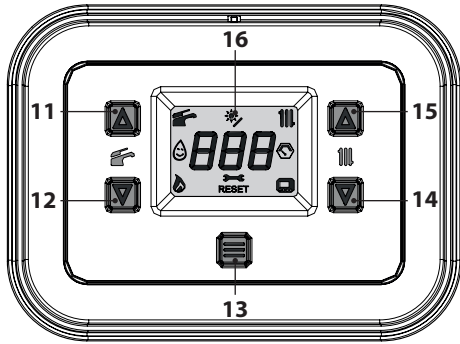


Figure 2.5


The LCD display shows the boiler temperature (primary circuit) and the symbol  (Figure 2.6).



Figure 2.6

2.3 Heating circuit temperature

The heating delivery temperature of the hot water can be adjusted using the buttons 14 (decrease) and 15 (increase) (Figure 2.5) to between a minimum of approx. 25°C and a maximum of approx. 80°C. The first time one of those buttons is pressed, the "set" value is displayed. The second time it is pressed this can be changed.

Signal on the LCD display:


- the "set" value of the heating delivery hot water temperature and the  symbol flash. The display background lights up (Figure 2.7).




Figure 2.7

Adjusting the heating temperature based on the outdoor temperature (without external sensor)

Adjust the heating delivery hot water temperature as follows:

- between 25 and 35 with an external temperature between 5 and 15°C
- from 35 to 60 with an outdoor temperature of between -5°C and +5°C
- from 60 to 80 with an outdoor temperature of below -5°C.

Your qualified installer may suggest more suitable settings for your system.

The set temperature has been reached when the  symbol is not visible on the LCD display.

Heating power demand



When the boiler receives a heating power request, the display shows the  symbol followed by an increase in the heating delivery water temperature. The  symbol flashes (Figure 2.8).



Figure 2.8

USER INSTRUCTIONS

Adjusting the heating temperature with an external sensor installed

When the optional external sensor is installed, your boiler will automatically adjust the heating system's delivery water temperature according to the outdoor temperature.

In this case, the boiler must be set by a qualified installer (see "Enabling operation with the external sensor and setting the K coefficient" on page 53).

If the room temperature is not comfortable, you can increase or decrease the heating system delivery temperature by $\pm 15^{\circ}\text{C}$ using the 14 (decrease) and 15 (increase) buttons (Figure 2.5).

2.4 Domestic hot water temperature

With tank connected and tank NTC probe:

The regulation of the temperature of the hot water contained in the tank is only possible if the tank is operated with the NTC probe that detects the temperature.

The domestic hot water temperature can be adjusted using the 11 (increase) and 12 (decrease) buttons (Figure 2.5) from a minimum of approx. 35°C to a maximum of approx. 60°C . The first time one of these two buttons is pressed, the "set" value is displayed. The second time it is pressed, the value can be changed.

Signal on the LCD display:


- the "set" value of the domestic hot water and the  symbol flash. The display background lights up (Figure 2.9).



Figure 2.9

If the quantity of limestone contained in the water is particularly high, it is recommended to install a small water softener.

To avoid any risks due to the possible formation of micro-organisms (legionella) in the domestic hot water, the anti-legionella function can be activated (see "Anti-legionella function" on page 49).


This function raises the temperature of the water contained in the tank to above 65°C for a defined period of time, which eliminates any microorganisms that are present.

With tank connected and tank thermostat:

The domestic hot water temperature can be adjusted using the boiler thermostat.

Use the 11 (increase) and 12 (decrease) buttons (Figure 2.5) to change the temperature of the water delivered to the tank coil. The first time one of these two buttons is pressed, the set value is displayed; the second time it is pressed, this can be changed.

Data shown on the LCD display:

- the set value of the domestic hot water and the symbol  flash. The display background lights up (Figure 2.9).

For optimal tank efficiency, it is recommended to set the tank coil delivery water temperature to the maximum

N.B.: The displayed temperature is the tank coil delivery temperature and not the actual temperature of the domestic hot water.

Domestic hot water demand



When the boiler receives a request for domestic hot water, the display shows the  symbol followed by an increase in the temperature of the domestic hot water. The  symbol flashes (Figure 2.10).



Figure 2.10

USER INSTRUCTIONS

2.5 Shutdown

Press button 13 (Figure 2.11) for 5 seconds until the symbol **- - -** appears on the display (the dashes light up in sequence to simulate a scrolling motion) (Figure 2.12).

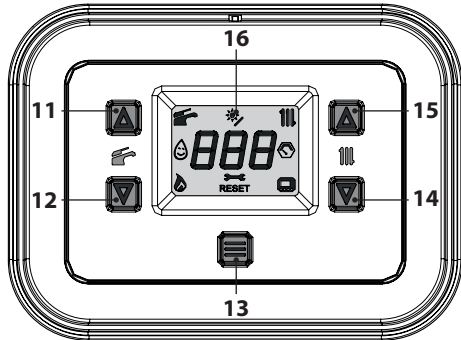


Figure 2.11

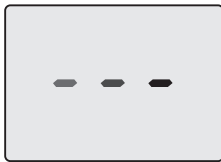


Figure 2.12

If the boiler will be inactive for a long period of time:

- Disconnect the boiler from the electric power supply;
- Close the boiler cocks Figure 2.13;

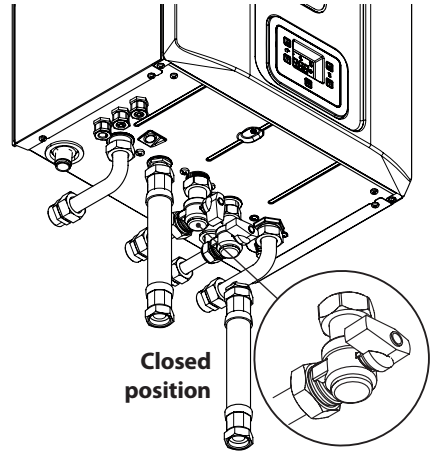


Figure 2.13

- If necessary, empty the hydraulic circuits (see section "Emptying the DHW circuit" on page 70 and section "Emptying the heating circuit" on page 70).

USEFUL TIPS

3 USEFUL TIPS

3.1 Filling the heating circuit

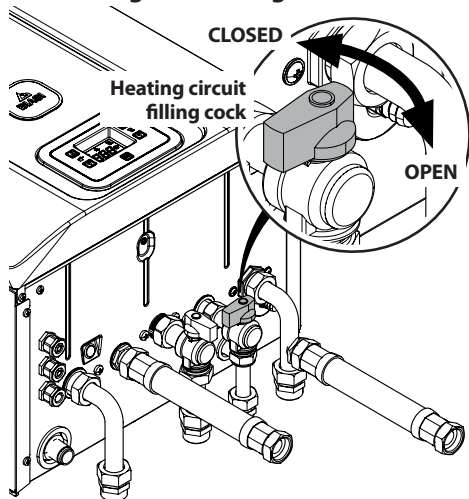


Figure 3.1

Press keys 14 and 15 at the same time to access the "INFO" menu (information).

The index value "J00" will be shown on the display in alternation with the pressure value "13" (1.3 bar). The number indicating the pressure is displayed without a decimal point, and the letter indicates the unit of measure (bar) (Figure 3.2).

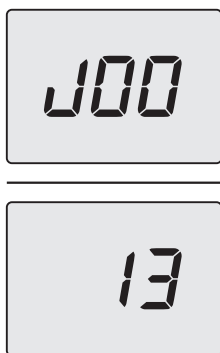


Figure 3.2

Open the filling cock in Figure 3.1 located under the boiler and at the same time check the

heating circuit pressure on the display.

The pressure must be between 1 bar and 1.5 bar (e.g. 1.3 bar in Figure 3.2).

When the operation is complete, close the filling cock and bleed any air from the radiators.

3.2 Heating

For rational and economical service, have a room thermostat installed.

Never turn off the radiator in the room where the room thermostat is installed.

If a radiator (or convector) does not heat up, check if there is any air in the system and make sure that the cock is open.

If the room temperature is too high, do not adjust the radiator cocks but decrease the heating temperature setting using the room thermostat or the heating control buttons 14 and 15 (Figure 3.3).

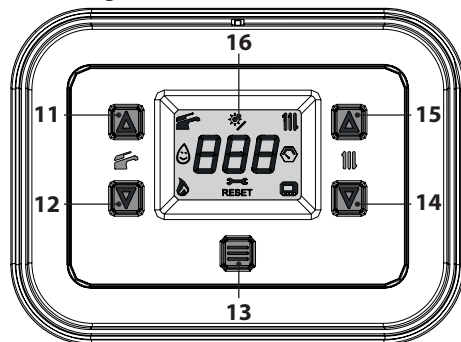


Figure 3.3

3.3 Antifreeze protection

The antifreeze system, and any additional protective devices, safeguard the boiler against possible damage due to freezing.

This system does not guarantee protection for the entire hydraulic system.

Where the outdoor temperature could fall below 0°C, it is recommended to leave the entire system on, setting the room thermostat to a low temperature.

The antifreeze function is active even if the boiler is in stand-by (Figure 3.4).

USEFUL TIPS

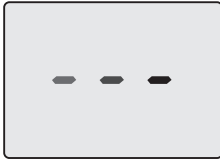


Figure 3.4

If the boiler is turned off, have a qualified technician empty the boiler (heating and DHW circuit) and empty the heating system and the DHW system.

3.4 Periodic maintenance

For efficient and regular boiler operation, it is recommended that the boiler be serviced and cleaned at least once a year by a technician from an authorised service centre. During this check, the most important boiler components are inspected and cleaned. This check may be performed within the scope of a maintenance contract.

3.5 External cleaning

! Before performing any cleaning operation, disconnect the boiler from the electric mains supply.

To clean, use a cloth soaked in soap and water.

Do not use: Solvents, flammable substances or abrasive substances.

3.6 Operating anomalies

If the boiler is not operating and a code appears on the LCD display that is preceded by the letter "E" and the message **RESET** (see "General LCD characteristics" on page 8) the boiler is in lockout. The background of the display will flash (Figure 3.5).

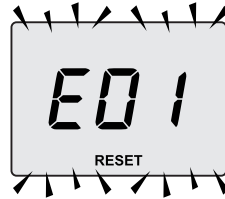


Figure 3.5

To restore operation, press the reset button 13 (Figure 3.3) on the boiler control panel.



Frequent safety lockouts should be reported to an authorised service centre.



After three reset attempts made by pressing the reset key 13 (Figure 3.3), code "E91" and the symbol  (Figure 3.6) appear on the LCD display. The boiler is in lockout mode.



Figure 3.6

To restore boiler operation, disconnect the electrical power supply. Then, reconnect it and press buttons 11, 12 and 13 (Figure 3.3) on the boiler control panel at the same time for at least 5s.

Other possible anomalies shown on the LCD display

If the LCD display shows a code preceded by the letter **E** and the symbol  the boiler has an anomaly that cannot be reset.

The background of the display will flash (Figure 3.7).

USEFUL TIPS



Figure 3.7

Another possible notification occurs when the DHW exchanger is not able to exchange all the power delivered by the boiler.

E.g. DHW exchanger blocked by lime scale. This occurs only when domestic hot water is requested from the boiler.

Code **L1** appears on the LCD display. The background of the display will flash (Figure 3.8).



Figure 3.8

To restore correct boiler operation, contact a technician from an authorised service centre.

Air bubble noises

Check the pressure of the heating circuit and fill it if necessary, see section "Filling the heating circuit" on page 16.

Low system pressure

Add more water to the heating system. To do this, refer to section "Filling the heating circuit" on page 16.

The user is responsible for periodically checking the pressure of the heating system.

If water needs to be added too often, have the technical support centre check if there are any leaks in the heating system or the boiler itself.

Water leaks from the safety valve

Check if the filling cock is closed tightly (see "Filling the heating circuit" on page 16).

Check on the pressure gauge that the heating circuit pressure is not close to 3 bar. Should this be the case, drain a part of the water from the system through the air relief valves in the radiators in order to reduce the pressure to a normal value.

In the case of malfunctions other than those described above, shut down the boiler as described in section "Shutdown" on page 15 and call a technician from the authorised service centre.

3.7 Displays in INFO mode

INFO mode is used to view boiler status information. In the case of a boiler malfunction, provide this information to the service centre so that they can work out its causes.

To access the INFO mode, press keys 14 and 15 (Figure 3.9) together until the index "**J00**" is shown on the display in alteration with the parameter value (Figure 3.10).

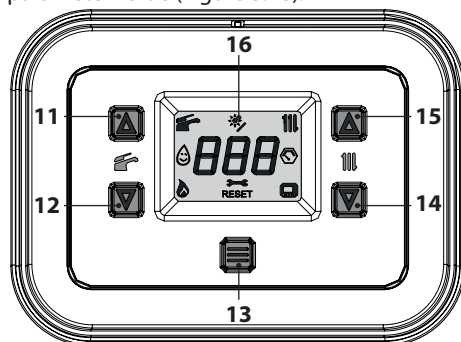


Figure 3.9

USEFUL TIPS

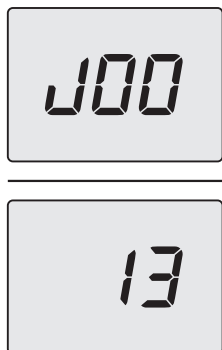


Figure 3.10

To scroll through the values, press the 12 key (previous INFO) and 14 key (next INFO).

To exit INFO mode, simply:

- wait 15 minutes without pressing any key;
- switch off the electric power supply;
- press and hold the 12 and 14 keys simultaneously for 5 seconds (Figure 3.9) (one level up).

The table summarises the possible values visible in INFO mode.

Value shown	Table of contents
Primary circuit pressure	J00 + value
Outdoor temperature	J01 + value
K curve value configured on site	J02 + value
Offset climatic curve value	J03 + value
Calculated heating set point (with climatic curve or set configured)	J04 + value
Delivery NTC temperature	J05 + value
Return NTC temperature	J06 + value
DHW set	J07 + value
DHW inlet temperature (if foreseen)	J08 + ---
DHW outlet temperature	J09 + value
DHW capacity	J10 + value

Flue gas temperature (if foreseen)	J11 + ---
Fan speed	J12 + value
Flue gas pressure transducer (if foreseen)	J13 + ---
Ionisation current value	J14 + value
Number of months to maintenance	J15 + value
3 star status (ON=01, OFF=00)	J16 + value
Modulation percentage	J17 + value
Pump modulation percentage	J18 + value
Delivery 2 temperature (if foreseen)	J19 + value
M.B. version	J20 + value
Main SW version	J21 + value

USE

3.8 Remote fault code

If the optional remote is connected to the boiler, a code can be shown on the central part of the display that indicates a boiler anomaly.

The current anomaly is indicated by a numeric code followed by the letter **E**.

The anomaly codes sent to the remote are the same as those shown on the display (see "LCD SIGNALS" on page 8).

3.9 Flue gas probe and thermal fuse



Thermofuse tripping involves a safety lockout, and requires resetting by an Authorised Service Centre.

The flue gas probe and thermal fuse 17 indicated in Figure 3.11 are safety devices.

The flue gas probe and 17 are triggered when the flue gas temperature exceeds 110°C, activating the boiler safety lockout, shutting it off. To reset normal boiler operation simply press the button 13 (Figure 3.9).

USEFUL TIPS

If the flue probe 17 does not trip and, therefore does not send the boiler into safety lockout, the thermal fuse 17 activates as a further measure to protect the flue gas outlet.

To restore the normal operation of the boiler, contact the Authorised Service Centre.

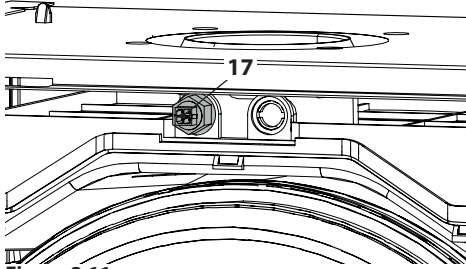


Figure 3.11

USE

TECHNICAL SPECIFICATIONS

4 TECHNICAL SPECIFICATIONS

4.1 Assembly view

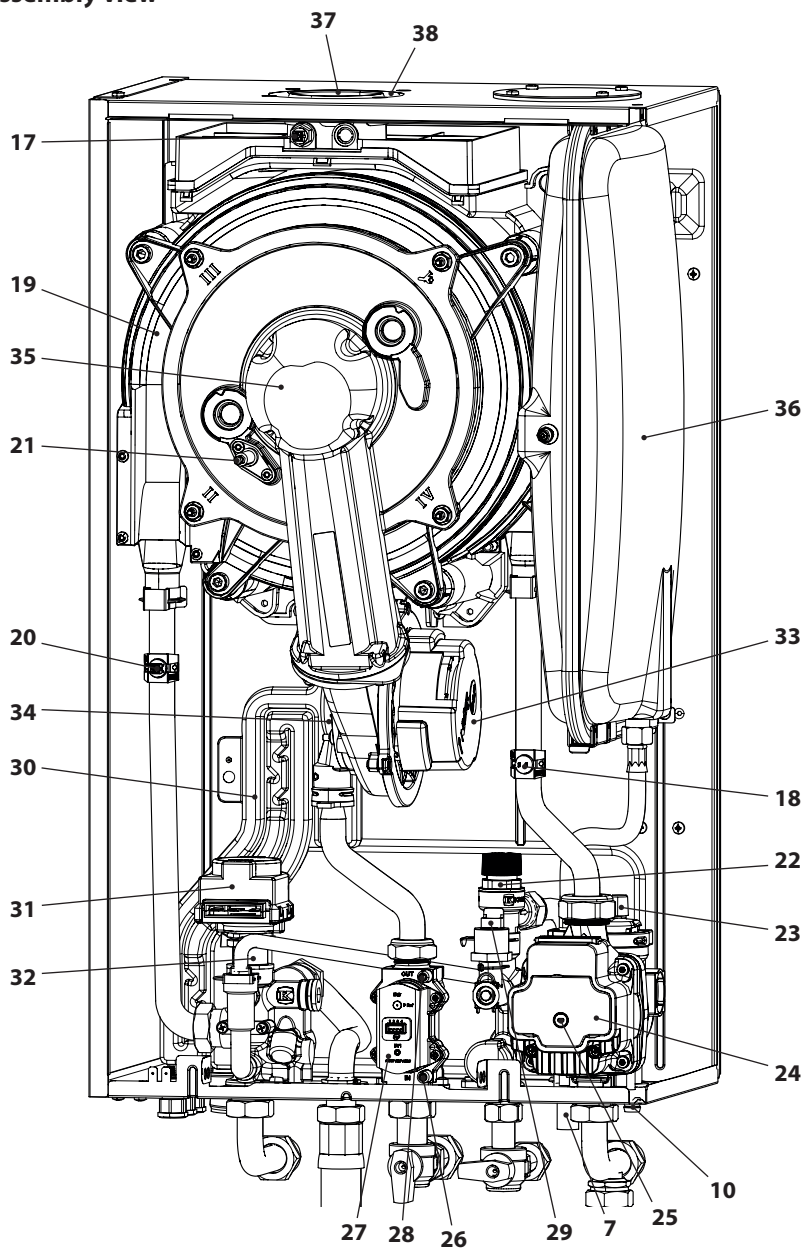


Figure 4.1

TECHNICAL SPECIFICATIONS

4.2 Schematic diagram

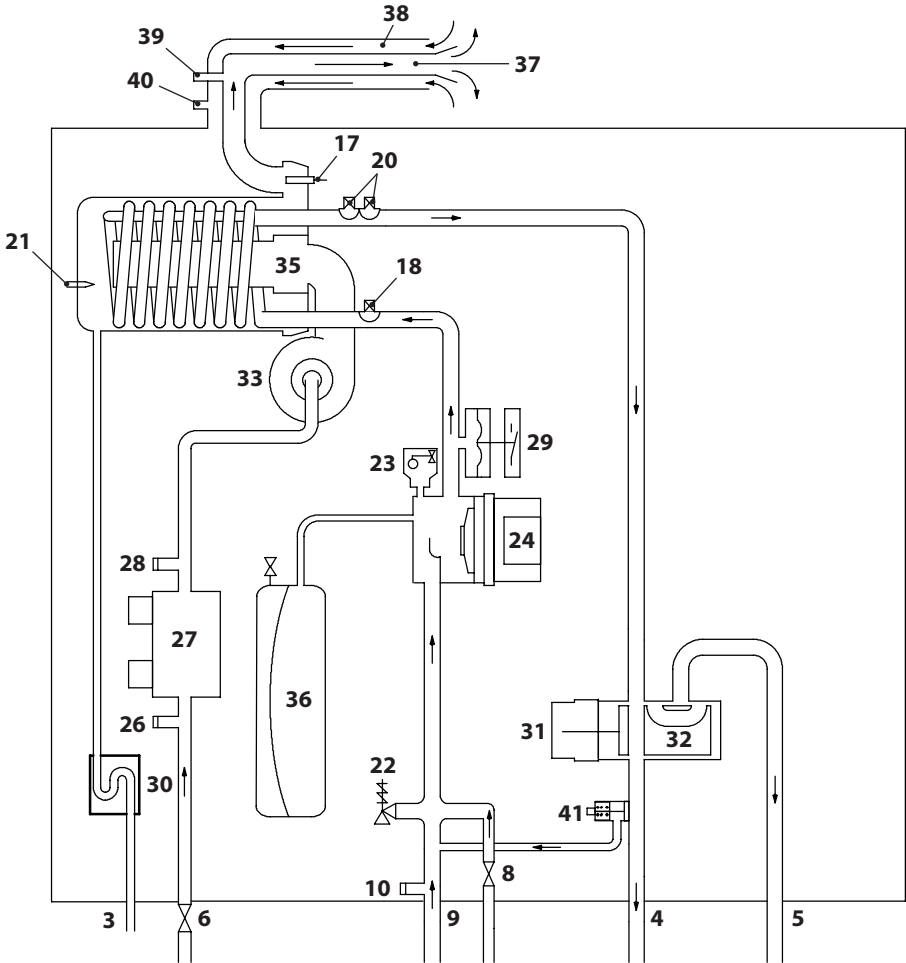


Figure 4.2

- | | | | |
|----|---|----|--|
| 3 | Condensate outlet pipe | 17 | Flue gas NTC probe and thermal fuse |
| 4 | Heating delivery pipe | 18 | Heating NTC return probe |
| 5 | Tank coil delivery pipe | 19 | Primary condensing exchanger |
| 6 | Gas cock | 20 | NTC heating delivery probe - NTC maximum temperature |
| 7 | Heating circuit safety valve discharge pipe | 21 | Flame detection electrode/ignition electrode |
| 8 | Heating circuit filling cock | 22 | 3 bar safety valve |
| 9 | Tank coil and heating return pipe | | |
| 10 | Heating circuit drain cock | | |

TECHNICAL SPECIFICATIONS

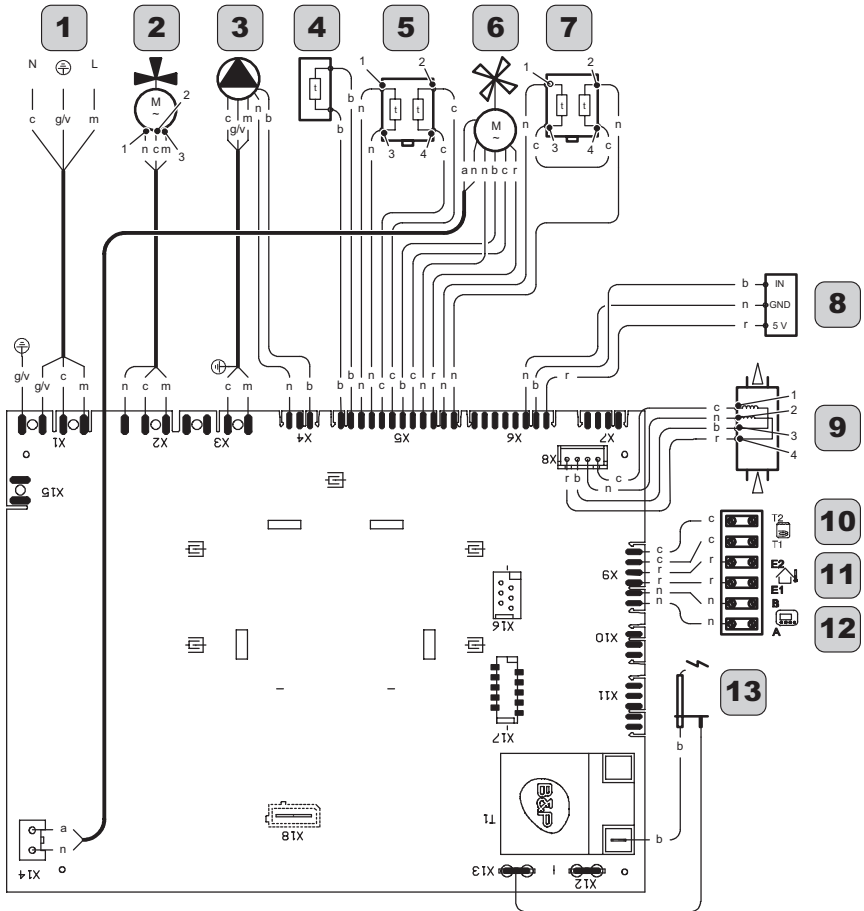
- 23** Automatic bleed valve
- 24** Pump
- 25** Pump bleed cap
- 26** Gas valve inlet tapping point
- 27** Gas valve
- 28** Gas valve outlet tapping point
- 29** Heating transducer
- 30** Condensate discharge siphon
- 31** Three-way valve
- 32** Three-way valve plug
- 33** Fan
- 34** Air/gas mixer
- 35** Burner
- 36** Expansion tank
- 37** Flue gas exhaust duct
- 38** Air suction duct
- 39** Flue gas suction inlet
- 40** Air suction inlet
- 41** Integrated by-pass

* To access the *Data plate*, remove the front panel from the body as described in the *Maintenance* section.

TECHNICAL SPECIFICATIONS

4.3 Wiring diagram

1	Electrical power supply	6	Fan	11	External sensor terminal board
2	Three-way valve	7	Flue gas probe and thermal fuse	12	Remote terminal board - Room thermostat
3	Pump	8	Heating transducer	13	Ignition and detection electrodes
4	NTC heating return	9	Gas valve		
5	NTC heating delivery / NTC maximum temperature	10	Thermostat / Storage tank sensor terminal board		



a	orange	g	yellow	n	black	y/g	yellow/green
b	white	gr	grey	r	red		
c	blue	m	brown	v	purple		

Figure 4.3

TECHNICAL SPECIFICATIONS

4.4 Hydraulic characteristics

The hydraulic characteristics represent the pressure (head) available in the heating system based on the flow rate.

Model M300V.1616 SV - M300V.2025 SV

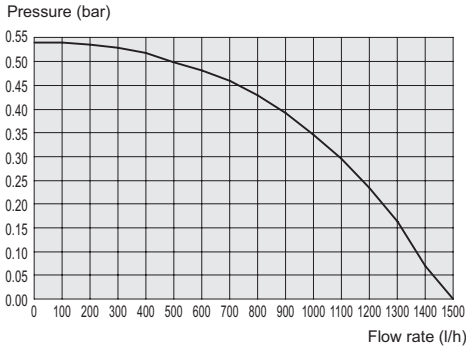


Figure 4.4

Model M300V.3035 SM

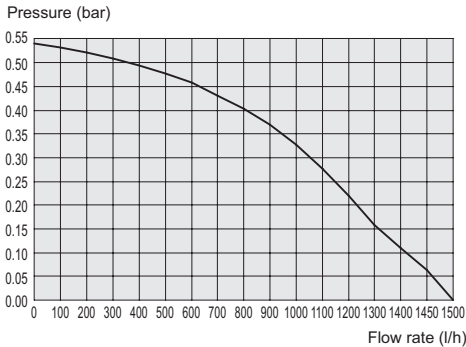


Figure 4.5

The load loss for the boiler has already been subtracted.

Flow rate with the thermostatic cocks closed

The boiler has an automatic by-pass, which protects the primary condensate exchanger. If the circulation of water in the heating system decreases too much or totally stops due to the closure of thermostatic valves or circuit cocks, the by-pass guarantees a minimum circulation

of water inside the primary condensate exchanger.

The by-pass is calibrated for a differential pressure of approx. 0.3-0.4 bar.

4.5 Expansion vessel

The difference in height between the safety valve and the highest point in the system can be max. 10 metres.

If differences are greater, increase the pre-load pressure of the expansion tank and the cold system by 0.1 bar for each 1 metre increase.

Total capacity	l	7.0
Pre-load pressure	kPa	100
	bar	1.0
Useful capacity	l	3.5
Maximum system content *	l	109

Figure 4.6

* In conditions of:

- Max. average system temperature of 85°C
- Initial temperature when filling the system 10°C.



For systems with contents that exceed the maximum system content (indicated in the table), a supplementary expansion tank must be installed.

TECHNICAL SPECIFICATIONS

4.6 Technical data M300V.1616 SV

(nom.Q.) Nominal heat input in heating mode (Hi)	kW	17,0
	kcal/h	14617
(nom.Q.) Nominal heat input in d.h.w. mode (Hi)	kW	17,0
	kcal/h	14617
(nom.Q.) Minimum heat input (Hi)	kW	3
	kcal/h	2580
* Max. heat input in heating mode 60°/80°C	kW	16,7
	kcal/h	14359
* Max. heat input in d.h.w. mode 60°/80°C	kW	16,7
	kcal/h	14359
* Min. heat input 60°/80°C	kW	2,8
	kcal/h	2408
** Max. heat input in heating mode 30°/50°C	kW	18,4
	kcal/h	15821
** Max. heat input in d.h.w. mode 30°/50°C	kW	18,4
	kcal/h	15821
** Min. heat input 30°/50°C	kW	3,2
	kcal/h	2752

Data in heating mode		
NOx class		6
Weighted NOx ***	mg/kWh	40
	ppm	23
Weighted CO EN483 (0% O2)	ppm	n.a.
CO at nom. Q. (0% O2) ***	ppm	220,0
CO at nom. Q. (0% O2) ***	ppm	2,0
CO2 at nom. Q. with G20	%	8,5 - 9,5
CO2 at min. Q. with G20	%	8,5 - 9,5
CO2 at nom. Q. with G31	%	9,6 - 10,6
CO2 at min. Q. with G31	%	9,5 - 10,5
** Condensate quantity at nom.Q. 30°/50°C	l/h	2,7
** Condensate quantity at min.Q. 30°/50°C	l/h	0,5
Condensate pH	pH	4,0

Data in d.h.w. mode		
CO2 at nom. Q. with G20	%	8,5 - 9,5
CO2 at min. Q. with G20	%	8,5 - 9,5
CO2 at nom. Q. with G31	%	9,6 - 10,6
CO2 at min. Q. with G31	%	9,5 - 10,5

* With return water temperature that does not permit condensation

** With return water temperature that does permits condensation

*** With coax. flue gas discharge 60/100 0.9 m and METHANE gas G20

Measured efficiency in heating mode		
* Nominal efficiency 60°/80°C	%	98,1
* Min. efficiency 60°/80 C	%	94,0
** Nominal efficiency 30°/50°C	%	108,4
** Min. efficiency 30°/50°C	%	105,2
* Efficiency At 30 % of load	%	n.a.
** Efficiency At 30 % of load	%	109,7
Heat loss at the chimney with burner operating	Pf (%)	1,5
Heat loss at the chimney with burner off ΔT 50°C	Pfbs (%)	0,2
Heat loss towards the environment through the casing with the burner operating	Pd (%)	0,4
Energy efficiency		***

Gas supply pressures			
Gas		Pa	mbar
Methane G20	Nom.	2000	20
	Min.	1700	17
	Max.	2500	25
Propane G31	Nom.	3700	37
	Min.	2500	25
	Max.	4500	45

TECHNICAL SPECIFICATIONS

Gas rate maximum - central heating		
Methane G20	m ³ /h	1,80
Propane G31	kg/h	1,32
Gas rate maximum - domestic hot water		
Methane G20	m ³ /h	1,80
Propane G31	kg/h	1,32
Gas rate minimum - ch dhw		
Methane G20	m ³ /h	0,32
Propane G31	kg/h	0,23

Heating		
Adjustable temperature *	°C	25 - 80
Max. operating temp.	°C	90
Maximum pressure	kPa	300
	bar	3,0
Minimum pressure	kPa	30
	bar	0,3
Available pressure difference (at 1000 l/h)	kPa	34,0
	bar	0,340

* At minimum useful power

Domestic hot water		
Temp. Minimum-Maximum	°C	35 - 55

* Reference standard EN 625

Chimney design #		
Max. flue gas temperature at 60°/80°C	°C	75
Max. flue gas temperature at 30°/50°C	°C	38
Max. flue gas mass flow rate	kg/s	0,0079
Min. flue gas mass flow rate	kg/s	0,0014
Max. air mass flow rate	kg/s	0,0076
Min. air mass flow rate	kg/s	0,0013

Values refer to tests with 80 mm 1 + 1 twin pipe discharge Methane gas G20 and heat input in d.h.w. mode

Electrical data		
Voltage	V	230
Frequency	Hz	50
Output at nominal heat input	W	80
Output at minimum heat input	W	n.a.
Output in stand-by	W	3
Degree of protection	IPX5D	

Other characteristics		
Height	mm	700
Width	mm	400
Depth	mm	300
Weight	kg	31
Water content in boiler	dm ³	2
Min. ambient temperature	°C	n.a.
Max. ambient temperature	°C	n.a.

Flue gas discharges		
Boiler type		
B23P C13 C33 C43 C53 C63 C83 C93		
Coaxial air/flue gas duct Ø	mm	60/100
Twin pipe air/flue gas duct Ø	mm	80/80
Coaxial air/flue gas duct to roof Ø	mm	80/125

G20 Hi. 34.02 MJ/m³ (15°C, 1013.25 mbar)

G31 Hi. 46.34 MJ/kg (15°C, 1013.25 mbar)

1 mbar corresponds to approx. 10 mm H₂O (2312)

TECHNICAL SPECIFICATIONS

Model(s):	M300V.1616 SV
Condensing boiler:	Si
Low-temperature boiler (**):	No
B1 boiler:	No
Cogeneration space heater:	No
If yes, equipped with a supplementary heater:	-
Combination heater:	No

Item	Symbol	Value	Unit	Item	Symbol	Value	Unit
Rated heat output	P_{rated}	17	kW	Seasonal space heating energy efficiency	η_s	93	%
				Seasonal energy efficiency class		A	

For boiler space heaters and boiler combination heaters: Useful heat output			
At rated heat output and high-temperature regime (*)	P_4	16,7	kW
At 30% of rated heat output and low-temperature regime (**)	P_1	5,6	kW

For boiler space heaters and boiler combination heaters: Useful efficiency			
At rated heat output and high-temperature regime (*)	η_4	88,3	%
At 30% of rated heat output and low-temperature regime (**)	η_1	98,8	%

Auxiliary electricity consumption			
At full load	el_{max}	0,016	kW
At part load	el_{min}	0,012	kW
In standby mode	P_{SB}	0,003	kW

Other items			
Standby heat loss	P_{sby}	0,110	kW
Ignition burner power consumption	P_{ign}	-	kW
Annual energy consumption	Q_{HE}	52	GJ
Sound power level, indoors	L_{WA}	49	dB
Emission of nitrogen oxides	NO_x	40	mg/kWh

For combination heaters:

Declared load profile				Water heating energy efficiency	η_{wh}		%
Daily electricity consumption	Q_{elec}		kWh	Daily fuel consumption	Q_{fuel}		kWh
Annual electricity consumption	AEC		kWh	Annual fuel consumption	AFC		GJ

Contact details See manual cover

(*) High-temperature regime means 60°C return temperature at heater inlet and 80°C feed temperature at heater outlet.

(**) Low temperature means for condensing boilers 30°C, for low-temperature boilers 37°C and for other heaters 50°C return temperature (at heater inlet).

TECHNICAL SPECIFICATIONS

4.7 Technical data M300V.2025 SV

(nom.Q.) Nominal heat input in heating mode (Hi)	kW	21,0
	kcal/h	18057
(nom.Q.) Nominal heat input in d.h.w. mode (Hi)	kW	26,0
	kcal/h	22356
(nom.Q.) Minimum heat input (Hi)	kW	3
	kcal/h	2580
* Max. heat input in heating mode 60°/80°C	kW	20,7
	kcal/h	17799
* Max. heat input in d.h.w. mode 60°/80°C	kW	25,6
	kcal/h	22012
* Min. heat input 60°/80°C	kW	2,8
	kcal/h	2408
** Max. heat input in heating mode 30°/50°C	kW	22,8
	kcal/h	19604
** Max. heat input in d.h.w. mode 30°/50°C	kW	28,2
	kcal/h	24248
** Min. heat input 30°/50°C	kW	3,2
	kcal/h	2752

Data in heating mode		
NOx class		6
Weighted NOx ***	mg/kWh	44
	ppm	25
Weighted CO EN483 (0% O2)	ppm	n.a.
CO at nom. Q. (0% O2) ***	ppm	220,0
CO at nom. Q. (0% O2) ***	ppm	2,0
CO2 at nom. Q. with G20	%	8,5 - 9,5
CO2 at min. Q. with G20	%	8,5 - 9,5
CO2 at nom. Q. with G31	%	9,6 - 10,6
CO2 at min. Q. with G31	%	9,5 - 10,5
** Condensate quantity at nom.Q. 30°/50°C	l/h	4,2
** Condensate quantity at min.Q. 30°/50°C	l/h	0,5
Condensate pH	pH	4,0

Data in d.h.w. mode		
CO2 at nom. Q. with G20	%	8,5 - 9,5
CO2 at min. Q. with G20	%	8,5 - 9,5
CO2 at nom. Q. with G31	%	9,6 - 10,6
CO2 at min. Q. with G31	%	9,5 - 10,5

* With return water temperature that does not permit condensation

** With return water temperature that does permits condensation

*** With coax. flue gas discharge 60/100 0.9 m and METHANE gas G20

Measured efficiency in heating mode		
* Nominal efficiency 60°/80°C	%	98,4
* Min. efficiency 60°/80 C	%	94,0
** Nominal efficiency 30°/50°C	%	108,6
** Min. efficiency 30°/50°C	%	105,2
* Efficiency At 30 % of load	%	n.a.
** Efficiency At 30 % of load	%	109,8
Heat loss at the chimney with burner operating	Pf (%)	1,3
Heat loss at the chimney with burner off ΔT 50°C	Pfbs (%)	0,2
Heat loss towards the environment through the casing with the burner operating	Pd (%)	0,3
Energy efficiency		***

Gas supply pressures			
Gas		Pa	mbar
Methane G20	Nom.	2000	20
	Min.	1700	17
	Max.	2500	25
Propane G31	Nom.	3700	37
	Min.	2500	25
	Max.	4500	45

TECHNICAL SPECIFICATIONS

Gas rate maximum - central heating		
Methane G20	m ³ /h	2,22
Propane G31	kg/h	1,63
Gas rate maximum - domestic hot water		
Methane G20	m ³ /h	2,75
Propane G31	kg/h	2,02
Gas rate minimum - ch dhw		
Methane G20	m ³ /h	0,32
Propane G31	kg/h	0,23

Heating		
Adjustable temperature *	°C	25 - 80
Max. operating temp.	°C	90
Maximum pressure	kPa	300
	bar	3,0
Minimum pressure	kPa	30
	bar	0,3
Available pressure difference (at 1000 l/h)	kPa	34,0
	bar	0,340

* At minimum useful power

Domestic hot water		
Temp. Minimum-Maximum	°C	35 - 55

* Reference standard EN 625

Chimney design #		
Max. flue gas temperature at 60°/80°C	°C	78
Max. flue gas temperature at 30°/50°C	°C	38
Max. flue gas mass flow rate	kg/s	0,0121
Min. flue gas mass flow rate	kg/s	0,0014
Max. air mass flow rate	kg/s	0,0116
Min. air mass flow rate	kg/s	0,0013

Values refer to tests with 80 mm 1 + 1 twin pipe discharge Methane gas G20 and heat input in d.h.w. mode

Electrical data		
Voltage	V	230
Frequency	Hz	50
Output at nominal heat input	W	100
Output at minimum heat input	W	n.a.
Output in stand-by	W	3
Degree of protection	IPX5D	

Other characteristics		
Height	mm	700
Width	mm	400
Depth	mm	300
Weight	kg	31
Water content in boiler	dm ³	2
Min. ambient temperature	°C	n.a.
Max. ambient temperature	°C	n.a.

Flue gas discharges		
Boiler type		
B23P C13 C33 C43 C53 C63 C83 C93		
Coaxial air/flue gas duct Ø	mm	60/100
Twin pipe air/flue gas duct Ø	mm	80/80
Coaxial air/flue gas duct to roof Ø	mm	80/125

G20 Hi. 34.02 MJ/m³ (15°C, 1013.25 mbar)

G31 Hi. 46.34 MJ/kg (15°C, 1013.25 mbar)

1 mbar corresponds to approx. 10 mm H₂O (2339)

TECHNICAL SPECIFICATIONS

Model(s):	M300V.2025 SV
Condensing boiler:	Si
Low-temperature boiler (**):	No
B1 boiler:	No
Cogeneration space heater:	No
If yes, equipped with a supplementary heater:	-
Combination heater:	No

Item	Symbol	Value	Unit
Rated heat output	P_{rated}	21	kW

For boiler space heaters and boiler combination heaters: Useful heat output			
At rated heat output and high-temperature regime (*)	P_4	20,7	kW
At 30% of rated heat output and low-temperature regime (**)	P_1	6,9	kW

Auxiliary electricity consumption			
At full load	el_{max}	0,034	kW
At part load	el_{min}	0,012	kW
In standby mode	P_{SB}	0,003	kW

For combination heaters:

Declared load profile			
Daily electricity consumption	Q_{elec}		kWh
Annual electricity consumption	AEC		kWh

Item	Symbol	Value	Unit
Seasonal space heating energy efficiency	η_s	94	%
Seasonal energy efficiency class		A	

For boiler space heaters and boiler combination heaters: Useful efficiency			
At rated heat output and high-temperature regime (*)	η_4	88,6	%
At 30% of rated heat output and low-temperature regime (**)	η_1	98,9	%

Other items			
Standby heat loss	P_{sby}	0,110	kW
Ignition burner power consumption	P_{ign}	-	kW
Annual energy consumption	Q_{HE}	63	GJ
Sound power level, indoors	L_{WA}	49	dB
Emission of nitrogen oxides	NO_x	44	mg/kWh

INSTALLATION

Contact details See manual cover

(*) High-temperature regime means 60°C return temperature at heater inlet and 80°C feed temperature at heater outlet.

(**) Low temperature means for condensing boilers 30°C, for low-temperature boilers 37°C and for other heaters 50°C return temperature (at heater inlet).

TECHNICAL SPECIFICATIONS

4.8 Technical data M300V.3035 SV

(nom.Q.) Nominal heat input in heating mode (Hi)	kW	31,0
	kcal/h	26655
(nom.Q.) Nominal heat input in d.h.w. mode (Hi)	kW	34,7
	kcal/h	29837
(nom.Q.) Minimum heat input (Hi)	kW	3,8
	kcal/h	3267
* Max. heat input in heating mode 60°/80°C	kW	30,6
	kcal/h	26311
* Max. heat input in d.h.w. mode 60°/80°C	kW	34,1
	kcal/h	29321
* Min. heat input 60°/80°C	kW	3,6
	kcal/h	3095
** Max. heat input in heating mode 30°/50°C	kW	33,6
	kcal/h	28891
** Max. heat input in d.h.w. mode 30°/50°C	kW	37,7
	kcal/h	32416
** Min. heat input 30°/50°C	kW	4
	kcal/h	3439

Data in heating mode		
NOx class		6
Weighted NOx ***	mg/kWh	28
	ppm	16
Weighted CO EN483 (0% O2)	ppm	n.a.
CO at nom. Q. (0% O2) ***	ppm	200,0
CO at nom. Q. (0% O2) ***	ppm	5,0
CO2 at nom. Q. with G20	%	8,5 - 9,5
CO2 at min. Q. with G20	%	8,5 - 9,5
CO2 at nom. Q. with G31	%	9,6 - 10,6
CO2 at min. Q. with G31	%	9,5 - 10,5
** Condensate quantity at nom.Q. 30°/50°C	l/h	5,6
** Condensate quantity at min.Q. 30°/50°C	l/h	0,6
Condensate pH	pH	4,0

Data in d.h.w. mode		
CO2 at nom. Q. with G20	%	8,5 - 9,5
CO2 at min. Q. with G20	%	8,5 - 9,5
CO2 at nom. Q. with G31	%	9,6 - 10,6
CO2 at min. Q. with G31	%	9,5 - 10,5

* With return water temperature that does not permit condensation

** With return water temperature that does permits condensation

*** With coax. flue gas discharge 60/100 0.9 m and METHANE gas G20

Measured efficiency in heating mode		
* Nominal efficiency 60°/80°C	%	98,8
* Min. efficiency 60°/80 C	%	94,5
** Nominal efficiency 30°/50°C	%	108,5
** Min. efficiency 30°/50°C	%	105,8
* Efficiency At 30 % of load	%	n.a.
** Efficiency At 30 % of load	%	109,9
Heat loss at the chimney with burner operating	Pf (%)	1
Heat loss at the chimney with burner off ΔT 50°C	Pfbs (%)	0,2
Heat loss towards the environment through the casing with the burner operating	Pd (%)	0,2
Energy efficiency		****

Gas supply pressures			
Gas		Pa	mbar
Methane G20	Nom.	2000	20
	Min.	1700	17
	Max.	2500	25
Propane G31	Nom.	3700	37
	Min.	2500	25
	Max.	4500	45

TECHNICAL SPECIFICATIONS

Gas rate maximum - central heating		
Methane G20	m ³ /h	3,28
Propane G31	kg/h	2,41
Gas rate maximum - domestic hot water		
Methane G20	m ³ /h	3,67
Propane G31	kg/h	2,70
Gas rate minimum - ch dhw		
Methane G20	m ³ /h	0,40
Propane G31	kg/h	0,30

Heating		
Adjustable temperature *	°C	25 - 80
Max. operating temp.	°C	90
Maximum pressure	kPa	300
	bar	3,0
Minimum pressure	kPa	30
	bar	0,3
Available pressure difference (at 1000 l/h)	kPa	32,0
	bar	0,320

* At minimum useful power

Domestic hot water		
Temp. Minimum-Maximum	°C	35 - 55

* Reference standard EN 625

Chimney design #		
Max. flue gas temperature at 60°/80°C	°C	78
Max. flue gas temperature at 30°/50°C	°C	50
Max. flue gas mass flow rate	kg/s	0,0209
Min. flue gas mass flow rate	kg/s	0,0044
Max. air mass flow rate	kg/s	0,0203
Min. air mass flow rate	kg/s	0,0044

Values refer to tests with 80 mm 1 + 1 twin pipe discharge Methane gas G20 and heat input in d.h.w. mode

Electrical data		
Voltage	V	230
Frequency	Hz	50
Output at nominal heat input	W	116
Output at minimum heat input	W	n.a.
Output in stand-by	W	3
Degree of protection	IPX5D	

Other characteristics		
Height	mm	700
Width	mm	400
Depth	mm	300
Weight	kg	35,5
Water content in boiler	dm ³	2
Min. ambient temperature	°C	n.a.
Max. ambient temperature	°C	n.a.

Flue gas discharges		
Boiler type		
B23P C13 C33 C43 C53 C63 C83 C93		
Coaxial air/flue gas duct Ø	mm	60/100
Twin pipe air/flue gas duct Ø	mm	80/80
Coaxial air/flue gas duct to roof Ø	mm	80/125

G20 Hi. 34.02 MJ/m³ (15°C, 1013.25 mbar)

G31 Hi. 46.34 MJ/kg (15°C, 1013.25 mbar)

1 mbar corresponds to approx. 10 mm H₂O (2340)

TECHNICAL SPECIFICATIONS

Model(s):	M300V.3035 SV
Condensing boiler:	Si
Low-temperature boiler (**):	No
B1 boiler:	No
Cogeneration space heater:	No
If yes, equipped with a supplementary heater:	-
Combination heater:	No

Item	Symbol	Value	Unit	Item	Symbol	Value	Unit
Rated heat output	P_{rated}	31	kW	Seasonal space heating energy efficiency	η_s	94	%
				Seasonal energy efficiency class		A	
For boiler space heaters and boiler combination heaters: Useful heat output				For boiler space heaters and boiler combination heaters: Useful efficiency			
At rated heat output and high-temperature regime (*)	P_4	30,6	kW	At rated heat output and high-temperature regime (*)	η_4	89,0	%
At 30% of rated heat output and low-temperature regime (**)	P_1	10,2	kW	At 30% of rated heat output and low-temperature regime (**)	η_1	99,0	%
Auxiliary electricity consumption				Other items			
At full load	el_{max}	0,052	kW	Standby heat loss	P_{siby}	0,110	kW
At part load	el_{min}	0,011	kW	Ignition burner power consumption	P_{ign}	-	kW
In standby mode	P_{SB}	0,003	kW	Annual energy consumption	Q_{HE}	94	GJ
				Sound power level, indoors	L_{WA}	50	dB
				Emission of nitrogen oxides	NO_x	28	mg/kWh

For combination heaters:

Declared load profile				Water heating energy efficiency	η_{wh}		%
Daily electricity consumption	Q_{elec}		kWh	Daily fuel consumption	Q_{fuel}		kWh
Annual electricity consumption	AEC		kWh	Annual fuel consumption	AFC		GJ

Contact details

See manual cover

(*) High-temperature regime means 60°C return temperature at heater inlet and 80°C feed temperature at heater outlet.

(**) Low temperature means for condensing boilers 30°C, for low-temperature boilers 37°C and for other heaters 50°C return temperature (at heater inlet).

INSTALLATION

5 INSTALLATION

5.1 Warnings



Protective gloves must be worn.



The appliance must be installed by a specialist installer in compliance with current applicable standards such as: UNI 7129 2015 part 1-2-3-4-5 and related standards.



The unit must discharge the combustion products directly outside or into a suitable exhaust flue designed for that purpose and in compliance with current national and local standards.

The unit is not suitable for receiving condensate from the combustion product evacuation system.



The combustion air must not contain chlorine, ammonia or alkaline agents.

Installing a boiler near to a swimming pool, washing machine or laundry room results in an aggressive mixture in the combustion air around the boiler.

Before installation, it is **mandatory** to thoroughly wash all of the system pipes with non-aggressive chemical products. The purpose of this procedure is to remove any residues or impurities that could jeopardise good boiler operation.

After washing, the system must be treated.

The conventional warranty does not cover any problems resulting from failure to follow these instructions.

Check:

- That the boiler is suitable for the type of gas distributed (check adhesive label).

If it is necessary to convert the boiler to a different type of gas, see section "GAS CONVERSION"

on page 66.

- That the characteristics of the electric, water and gas supply networks comply with those on the plate.

The combustion products may only be discharged using the flue gas exhaust kits provided by the manufacturer, as they are an integral part of the boiler.

For LPG gas (Propane G31), the installation must also comply with the requirements of the distributing companies and with the requirements of current technical standards and laws.

The safety valve must be connected to a suitable discharge duct to avoid flooding if it is triggered.

The condensate outlet siphon must be connected to the residential condensate outlet duct; it must be possible to inspect it and it must be implemented in such a way as to avoid the condensate freezing (UNI 7129-5 and related standards).

The electric installation must comply with technical standards, in particular:

- It is **mandatory** to connect the boiler to an effective earthing system via a specific terminal.
- A multiway switch must be installed near the boiler to allow complete disconnection in conditions of category III over-voltage. For the electrical connections, refer to section "Electrical connections" on page 45.
- **The electric conductors for connecting the remote control to the boiler** must go through different channels than those for the mains voltage (230 V), as they are supplied with low safety voltage.



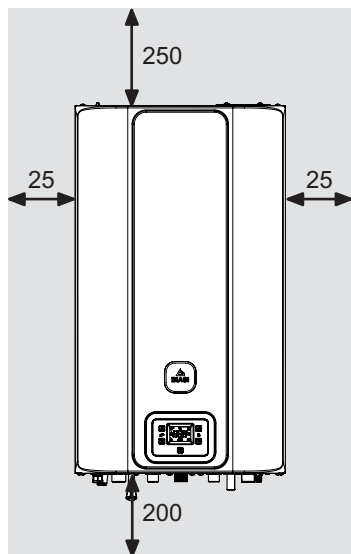
If the power supply cable is damaged, it must only be replaced by a qualified technician.

INSTALLATION

5.2 Precautions for installation

Follow these installation instructions:

- Mount the boiler on a strong wall.
- Respect the measurements of the flue gas evacuation duct (provided in section "Flue gas outlet dimensions and lengths" on page 40) and the correct systems for installing the duct shown in the instruction sheet provided together with the flue gas evacuation pipe kit.
- Leave the minimum distances indicated in Figure 5.1 around the unit.



All measurements are in mm

Figure 5.1

- Leave 5 cm of free space in front of the boiler if it is inserted in a cabinet, shelter or niche.
- In the case of an old heating system, before installing the boiler, carefully clean it in order to remove any sludgy deposits that have formed over time.
- We recommended installing a purification filter in the system or using a product that conditions the circulating water.
This latter solution, in particular, not only cleans the system but also provides anti-corro-

sion protection by forming a protective film on the metal surfaces and neutralising the gases in the water.

Filling the central heating system:

- If the boiler is installed in rooms where the ambient temperature could fall below 0°C, it is recommended to take the proper precautions in order to prevent damaging the boiler.
- Do not add antifreeze or anticorrosion products to the heating water in the wrong concentrations or use those with chemical/physical characteristics that are incompatible with the boiler's hydraulic components.

The manufacturer does not assume any liability for this type of damage.

Inform the user about the boiler's anti-freeze function and any chemical products added to the heating system.

5.3 Installing the boiler bracket

The boiler is provided with a bracket for assembly.

A paper template that contains all the measurements and information for correctly installing the support is provided.

The hydraulic and gas system must terminate with female fittings, 3/4" for the gas fitting and for the heating delivery and return, and 1/2" for the DHW inlet and outlet, or with welded copper pipes with, respectively, 18 mm \varnothing and 14 mm \varnothing . For measurements and useful data see section "Dimensions" on page 37, "Fittings" page 37, "Flue gas outlet dimensions and lengths" page 40.

INSTALLATION

5.4 Dimensions

The boiler complies with the following dimensions:

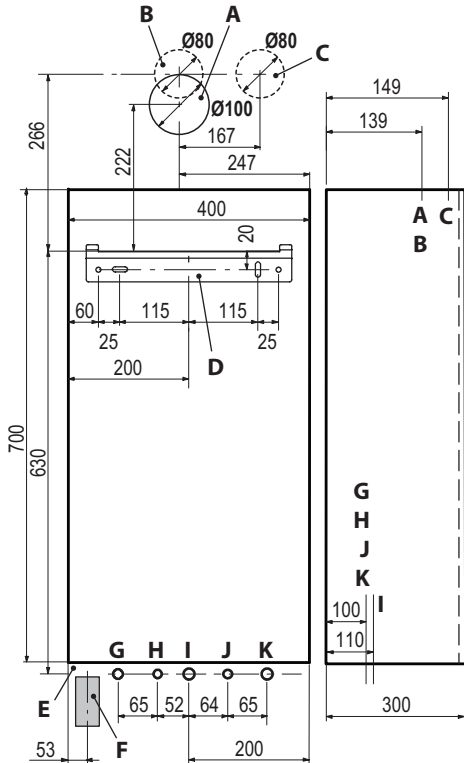


Figure 5.2

- A** Flue gas exhaust / air suction (coaxial \varnothing 100/60)
- B** Flue gas exhaust (\varnothing 80 twin pipe)
- C** Air suction (\varnothing 80 twin pipe)
- D** Boiler mounting bracket
- E** Area for positioning the electric connection channels
- F** Area for positioning the condensate outlet pipe
- G** MR - Heating delivery
- H** MB - Tank delivery
- I** Gas
- J** RC - Filling the heating circuit
- K** RR - Heating and tank return

5.5 Fittings

The boiler uses the following fittings:

	Cock	Pipe \varnothing	Quick fitting
MR		\varnothing 16/18	G 3/4 MF
MB		\varnothing 12/14	
Gas	G 3/4 MF	\varnothing 16/18	G 3/4 MF
RC	G 1/2 MF	\varnothing 12/14	G 1/2 MF
RR		\varnothing 16/18	G 3/4 MF
G1/2F 3 bar safety valve fitting			

Condensate discharge to be implemented with pipe min. \varnothing 30 mm

5.6 Boiler assembly

- Remove the protective caps from the boiler pipes.
- Hook the boiler onto the bracket.
- Insert the check valve (**A**) inside the "fill heating circuit" fitting and put the gasket with filter in place (**B**) (Figure 5.3 and Figure 5.4)
- Screw the cocks on the boiler.

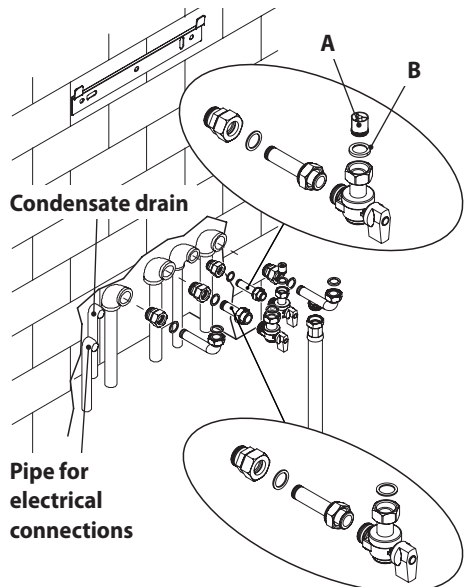


Figure 5.3

INSTALLATION

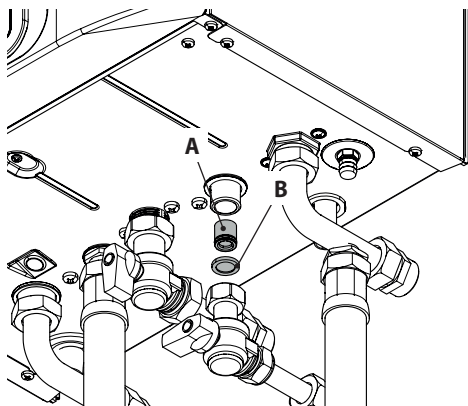
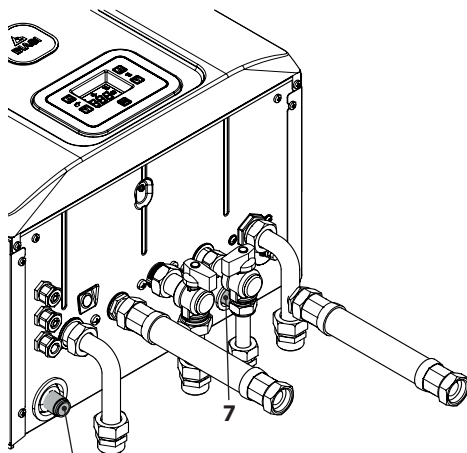


Figure 5.4

- Tighten the quick fittings on the hydraulic system.
- If the hydraulic heating system is higher than the boiler surface, cocks should be installed in order to disconnect the system for maintenance purposes.
- Insert the flared stub pipe in the quick fittings.
- Block the pipes by placing 1/2" and 3/4" gaskets between the boiler fittings.
- Carry out a leakage test for the gas supply system.
- Connect the safety valve discharge 7 (Figure 5.5) to an outlet funnel.
- Insert the flexible condensate discharge pipe 3 (Figure 5.5) inside the residential condensate discharge duct or the discharge funnel of the safety valve if the discharge is suitable for receiving acid condensate.



3
Figure 5.5

5.7 Installing the DHW tank

The DHW tank must be positioned under the boiler as shown in Figure 5.6.

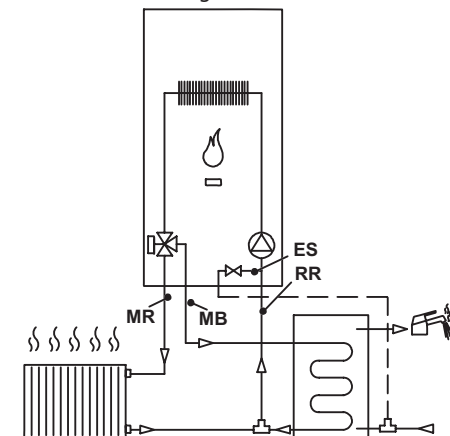


Figure 5.6

Connect the tank coil delivery to the MB (tank delivery) tank fitting indicated in Figure 5.7.

INSTALLATION

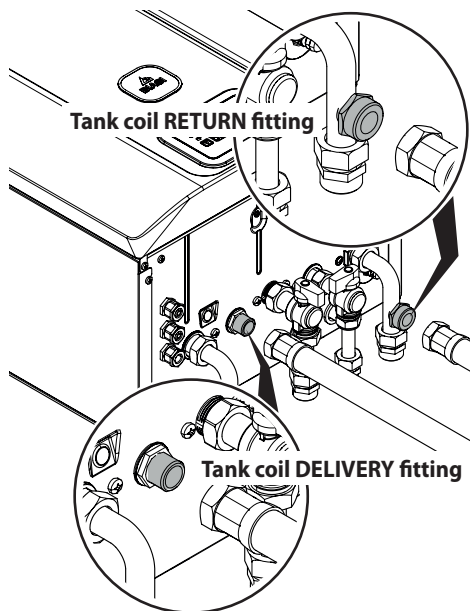


Figure 5.7

Connect the tank coil return to the fitting located on the pipe that connects the heating return to the boiler indicated in Figure 5.7.

Connect the tank domestic hot water inlet to the heating circuit filling cock.

5.8 Installing the flue gas exhaust duct

Consult the sheet provided together with the preselected kit for information on how to correctly install the flue gas duct.

The horizontal sections of the flue gas pipes must have a slope of approx. 1.5 degrees (25 mm per metre), therefore the terminal must be higher than the boiler side opening.

Only the coaxial pipe with the terminal must be horizontal as the discharge pipe has already been implemented with the correct slope.

CORRECT implementation of a wall-mounted concentric discharge system

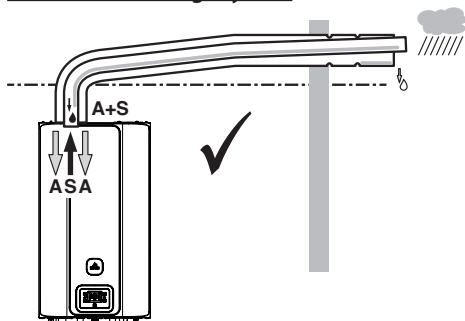


Figure 5.8

A = air suction

S = flue gas outlet

CORRECT implementation of twin flue gas outlet/air suction systems

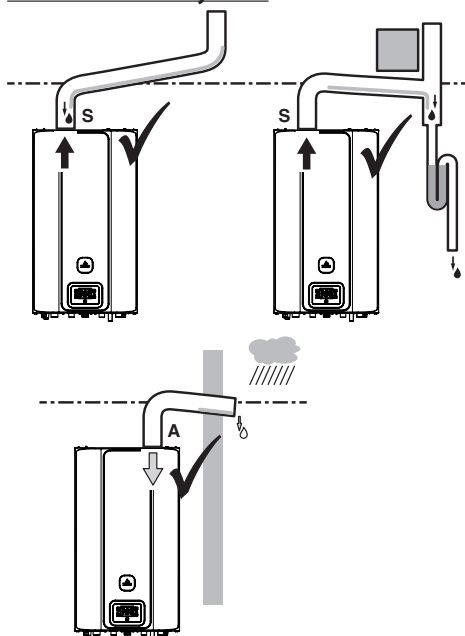


Figure 5.9

A = air suction

S = flue gas outlet

INSTALLATION

INCORRECT implementation of twin flue gas outlet/air suction systems

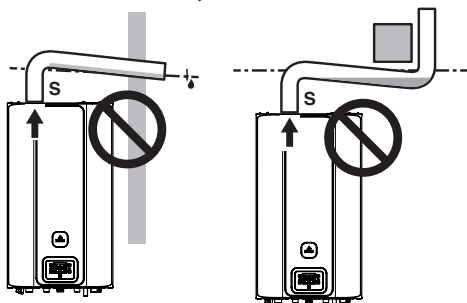
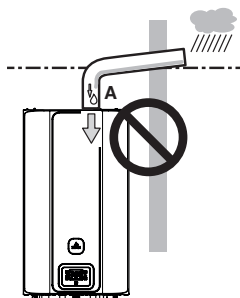


Figure 5.10

A = air suction

S = flue gas outlet



5.9 Flue gas outlet dimensions and lengths

The flue gas outlet/air suction can be set up in the following ways:

C13 C33 C43 C53 C63 C83 C93 B23P

Consult the sheet provided with the selected kit which is packaged separately.

The horizontal sections of the flue gas pipes must have a slope of approx. 1.5 degrees (25 mm per metre).



The terminal must be higher than the boiler side opening.

Only the coaxial pipe with the terminal must be horizontal as the discharge pipe has already been implemented with the correct slope.

The following kits are available for connection to the boiler:

Wall-mounted flue gas outlet kit (Figure 5.11 A)

Coaxial duct Ø 60/100 mm (A)	
Nominal length	0.915 m
Minimum length	0.5 m
Maximum length	10 m

C13

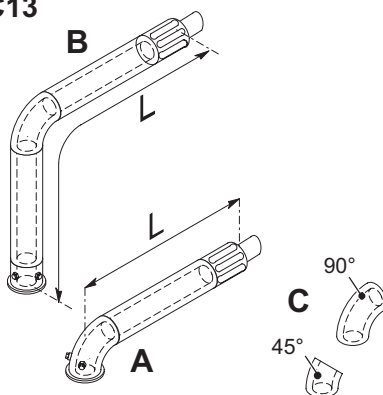


Figure 5.11

Vertical flue gas outlet kit with 90° elbow (Figure 5.11 B)

This kit is used to raise the outlet axis of the boiler by 635 mm.

The terminal must always discharge horizontally.

Coaxial duct Ø 60/100 with 90° elbow (B)	
Nominal length	1.55 m
Minimum length	0.5 m
Maximum length	10 m

Supplementary 45° or 90° elbows (Figure 5.11 C)

Coaxial elbows Ø 60/100 mm.

When these elbows are used in the duct, they reduce the maximum length of the flue gas duct by:

INSTALLATION

For a 45° elbow loss	0.5 m
For a 90° elbow loss	1 m

Twin pipe suction discharge duct kit Ø 80 mm - (Figure 5.12) - (Figure 5.13)

This kit is used to separate the flue gas outlet from the air suction. The terminals can be inserted in exhaust flues designed for this purpose, or discharge flue gas or intake air directly on the wall.

Twin ducts Ø 80	
Minimum length	0.5 m
Maximum length	40 m

N.B.: The terminals of the air suction and flue gas exhaust pipes must not be positioned on opposite walls of the building (EN 483).

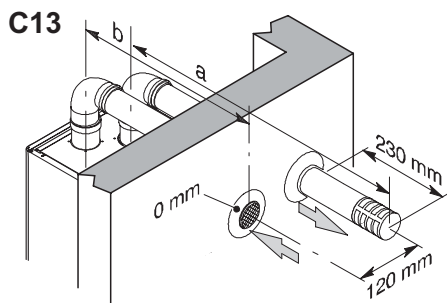


Figure 5.12

Also Ø 80 mm 90° and 45° elbows are available that reduce the total max. length of the ducts:

For a 45° elbow loss	0.9 m
For a 90° elbow loss	1.65 m

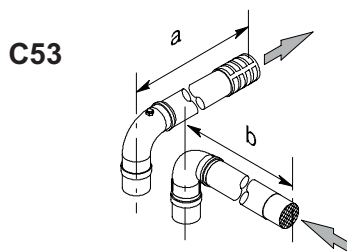
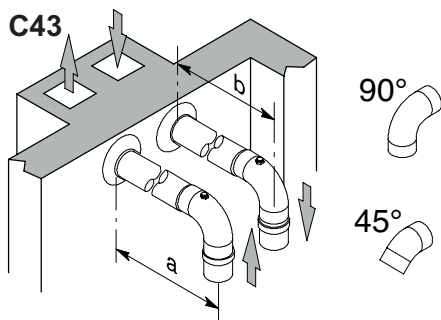


Figure 5.13

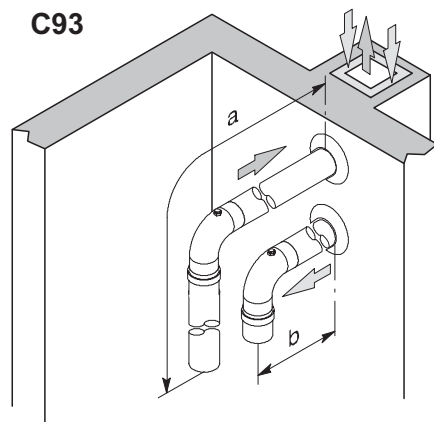


Figure 5.14

TYPE C₆₃

If using ducts and terminals from another manufacturer (type C₆₃), these must be approved and, in the case of a flue gas duct, materials must be used that comply with the condensation products.

When dimensioning the ducts, take into account the residual pressure difference at the fan:

INSTALLATION

Useful static pressure at nominal heat input	16 kW	210	Pa
	25 kW	270	Pa
	35 kW	190	Pa
Overheated flue	16 kW	90	°C
	25 kW	92	°C
	35 kW	96	°C
Maximum recirculation of CO ₂ in the suction duct	16 kW	1,2	%
	25 kW	1,2	%
	35 kW	1,4	%

TYPE C₈₃ (Figure 5.15)

The boiler with this type of outlet installed must take the comburent air from the outside and discharge the flue gas in the individual or collective chimney designed for this purpose.

C83

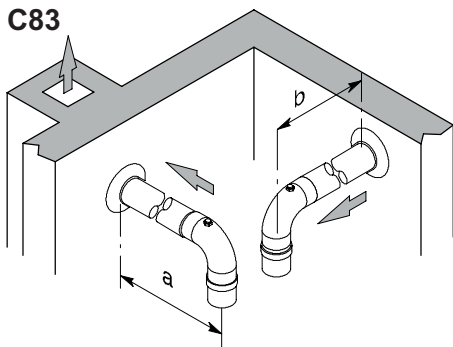


Figure 5.15

Roof-mounted flue gas outlet kit (Figure 5.16)

This kit makes it possible to release the flue gases directly through the roof.

Coaxial duct Ø 80/125 mm	
Nominal length	0.96 m
Maximum length	12 m

C33

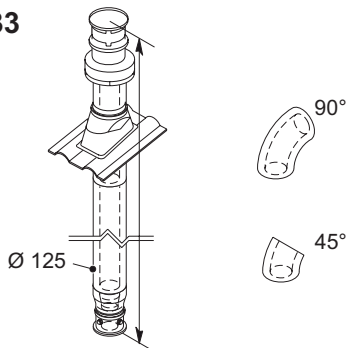


Figure 5.16

Extensions are available for reaching the maximum height.

Coaxial Ø 80/125 mm 90° and 45° elbows are available that reduce the total max. length of the ducts by:

For a 45° elbow loss	0.5 m
For a 90° elbow loss	1 m

TYPE B_{23P} (Figure 5.17)

This type of flue gas outlet extracts the necessary combustion air from the same room as the boiler is installed in; the combustion products must be released outside and the outlet pipe can be through the wall or a chimney.

TYPE B _{23P} duct	
Minimum length	0.5 m
Maximum length (A + B)	40 m



There must be a suitable air intake in the room where the boiler is installed for the supply of combustion air and for room ventilation.

For proper operation, the minimum necessary air exchange must be 2 m³/h for each kW of heat input.

INSTALLATION

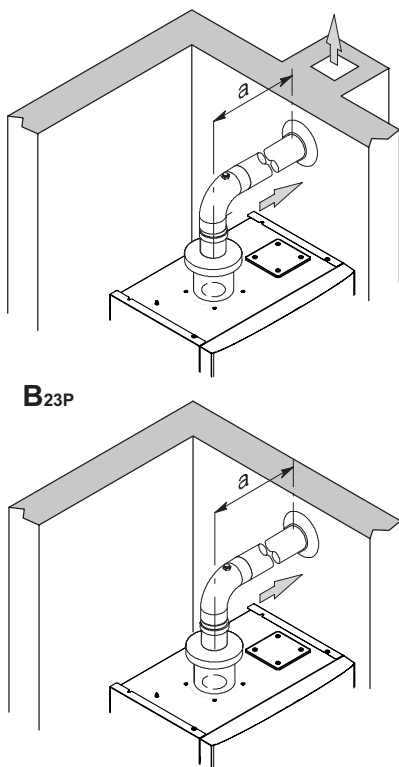


Figure 5.17

Also $\varnothing 80$ mm 90° and 45° elbows are available that reduce the total max. length of the ducts:

For a 45° elbow loss	0.9 m
For a 90° elbow loss	1.65 m

5.10 C₆₃ exhaust-flue pipework

Exhaust flue pipework with flue-gas kit in smooth propylene or smooth stainless steel

Kits are available in $\varnothing 80$ mm, $\varnothing 60$ mm or $\varnothing 50$ mm for expelling flue gases (a), while the air suction kits (b) are always $\varnothing 80$ mm.

When setting up any ducted system, the hollow cavity between the secondary flue, exhaust flue or ducted pipe and the internal wall of the technical cabinet must only be used for this system exclusively.

All components must be made from materials with class A1 reaction to fire according to standard UNI EN 13501-1. **Note that extendible metal hoses must not be used.**

The flue must receive the flue gas output from the flue gas duct connected to the appliance only. Collective exhaust flues cannot be used and the output from extractor hoods above cooking appliances of any kind or output from other generators cannot be conveyed through the same flue or flue gas duct.

Therefore, if you install a ducted pipe for evacuating combustion products from any type of appliance inside an existing flue, this flue must then be used solely for the ducted pipe system. It cannot contain any other type of pipework (for example gas, heating or solar pipes), nor can it contain cables of any kind (electrical, TV antenna, etc.). However, if there is enough space, it can be used to install other ducted pipes hooked up to appliances powered by other fuels, as long as the minimum clearances required by the regulations are respected.



A condensate siphon must also be installed at the base of the flue-gas kit. This is because the boiler is not built to collect condensate from the system for evacuating combustion products.

	Twin C63		
	80+80 (a+b)	60+80 (a+b)	50+80 (a+b)
16 kW	40.0 m	37.1 m	26.5 m
25 kW	40.0 m	37.1 m	26.5 m
35 kW	40.0 m	15.0 m	6.7 m

For every additional elbow, subtract 1.5 m from the total length.

For every tee connection, subtract 1.7 m from the total length.

For double-walled pipes in corrugated propylene or corrugated stainless steel, reduce the effective length by 15%.

INSTALLATION



The materials the pipes are made from must be suitable for use with this type of appliance.

The straight sections must not be deformed and must be suitably supported.

The joints must be sealed and protected against unthreading.

Insert the flue-gas draw stub kit above the boiler.

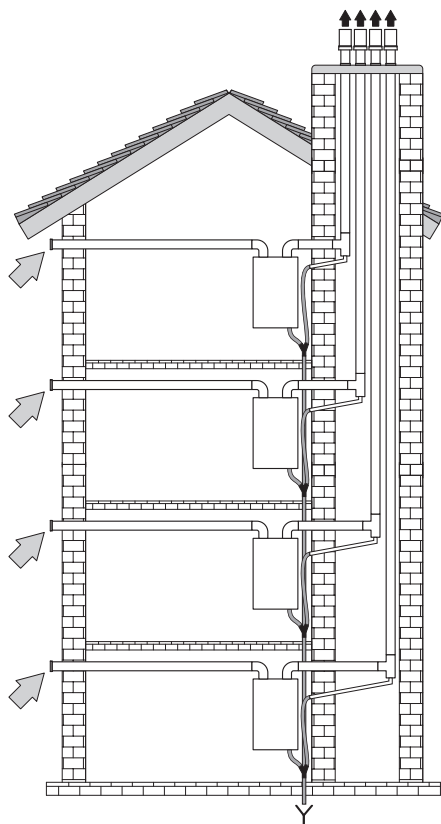


Figure 5.18

5.11 Positioning the draught terminals

The draught terminals must:

- be positioned on the outer perimeter walls of the building or on the roof;
- comply with the minimum distances Figure 5.19 and any national or local regulations.

Position of the terminal	mm
A Under the window or other opening	600
B Next to a window or door	400
B Next to an air vent or ventilation opening	600
C Side of a balcony	1000
D Under the gutter or discharge pipes	300
E Under the eaves	300
F Under balconies	300
G Under the garage roof	NO
H From vertical discharge pipes	300
I From inner corners	300
J From external corners	300
K From the ground or other floor surfaces	2200
L From a front facing surface without openings	2000
M From a front facing opening	3000
N From an opening in the garage	NO
O Between two vertical terminals in the same wall	1500
P Between two horizontal terminals in the same wall	1000
Q Above the pitch of a roof with a slope less than or equal to 30° *	350
Q Above the pitch of a roof with a slope greater than 30° *	600
R Above a flat roof *	300
S From a wall *	600
S From two walls at an angle *	1000

* Roof-mounted terminal

INSTALLATION

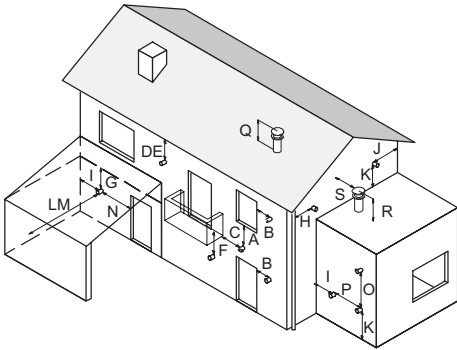


Figure 5.19

5.12 Electrical connections

- Unscrew the screws **L** (Figure 5.20) and remove the front panel **M** by pulling it towards you and then pushing it upwards in order to release it from the top fastenings Figure 5.21.

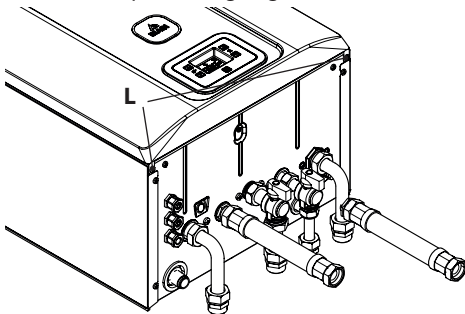


Figure 5.20

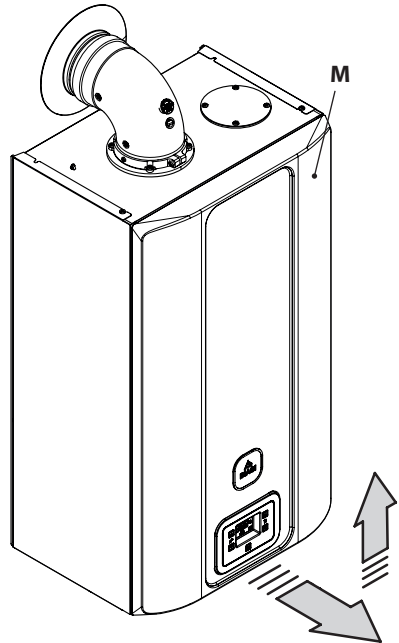


Figure 5.21

- Unscrew the screw **N** (Figure 5.22).

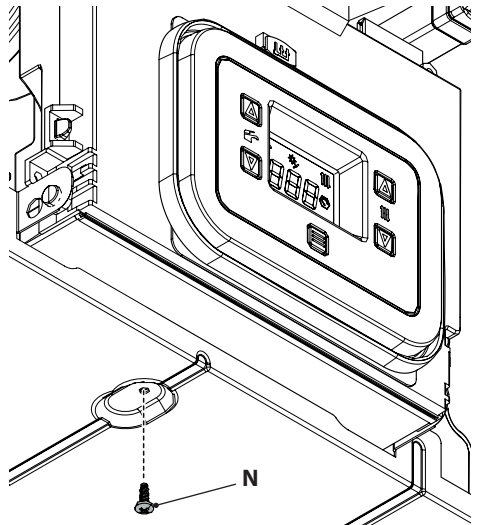


Figure 5.22

INSTALLATION

INSTALLATION

- Turn the control panel **O**, as shown in Figure 5.23.
- Unscrew the screw **P** and lift the cover **Q** to access the electric power supply terminal block, remote and external sensor (Figure 5.23).

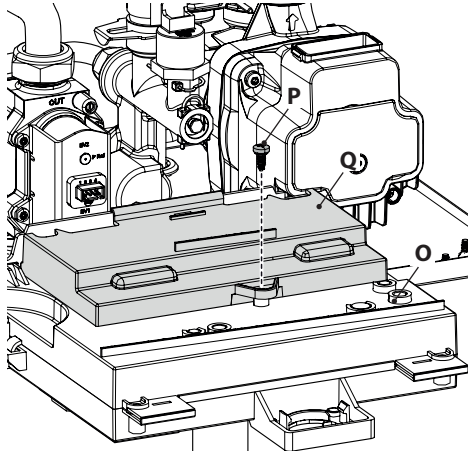


Figure 5.23

Connecting to the electric power supply grid

- Connect the electric power supply cable to the all-pole switch, respecting the correspondence of the power line (brown wire) and the neutral (blue wire) Figure 5.24.
- **Connect the earth wire (yellow/green) to an effective earthing system.**

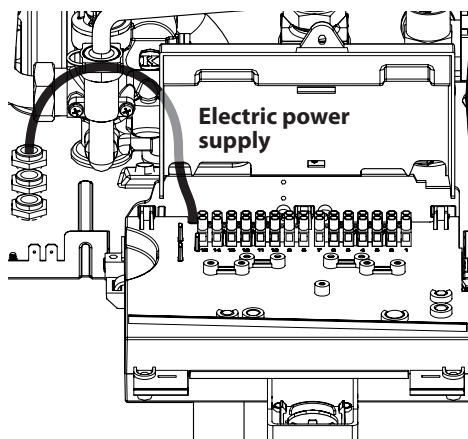


Figure 5.24



The earth wire must be longer than the electric power wires.

The electric power supply cable or wire for the unit (type: H03VV-F) must have a minimum cross section of 0.75 mm², be kept away from hot or sharp parts and comply with current technical standards.

Make the boiler cable exit using specific cable glands **R** (Figure 5.27).

5.13 Connecting a room thermostat or zone valves

Use the terminals indicated in Figure 5.25 to connect the ambient thermostat.

The installation of the ambient thermostat excludes the installation of the remote control. When connecting any type of room thermostat, the electric jumper between "A and B" must be removed.

The electrical conductors for the room thermostat must be inserted between terminals "A and B" as shown in Figure 5.25.



Do not connect live cables to the "A and B" terminals.

INSTALLATION

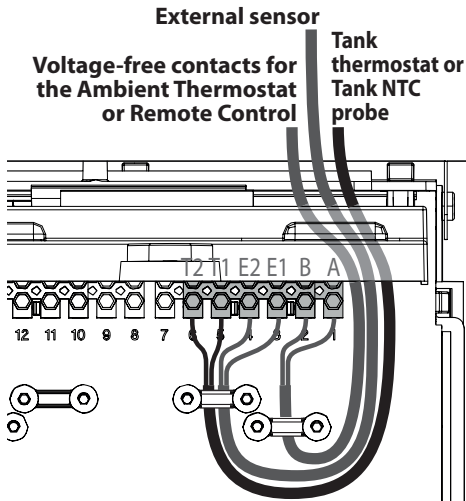


Figure 5.25

The thermostat must have class II insulation (□) or be correctly connected to the earth.

Make the boiler cable exit using specific cable glands **R** (Figure 5.27).

Connecting zone valves controlled by the room thermostat

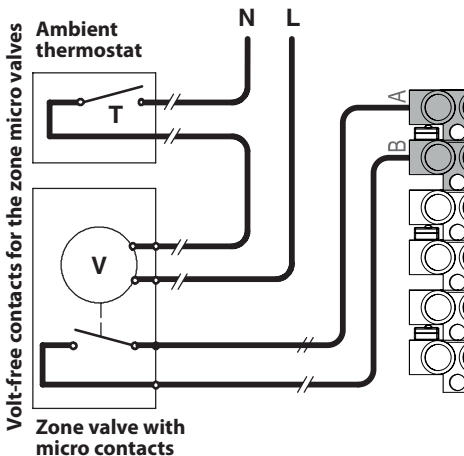


Figure 5.26

Use the room thermostat terminals indicated in Figure 5.25 to connect the zone valves. The electrical conductors of the zone valve micro contacts must be inserted into the “A and B” terminals of the room thermostat terminal board as shown in Figure 5.26.

The electric jumper between “A and B” must be removed.



Do not connect live cables to the “A and B” terminals.

The path of the ambient thermostat connection wires must follow the path indicated in Figure 5.25.

Make the boiler cables exit using specific cable glands **R** (Figure 5.27).

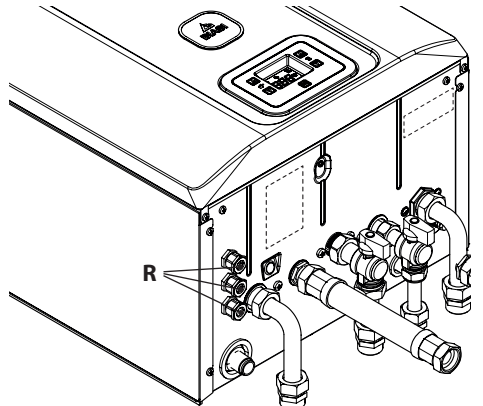


Figure 5.27

INSTALLATION

5.14 Electrical connection of the DHW tank thermostat or NTC probe and setting

To connect the tank thermostat to the boiler use electric cables with a section no less than 0.50 mm².

The electric conductors for connecting the probes to the boiler must go through different channels than those for the mains voltage (230 V), as they are supplied with low safety voltage.

INSTALLATION

Connect the two electric conductors to terminals **T1** and **T2** on the terminal board as shown in Figure 5.28.

Connect the same conductors to the tank thermostat terminals.

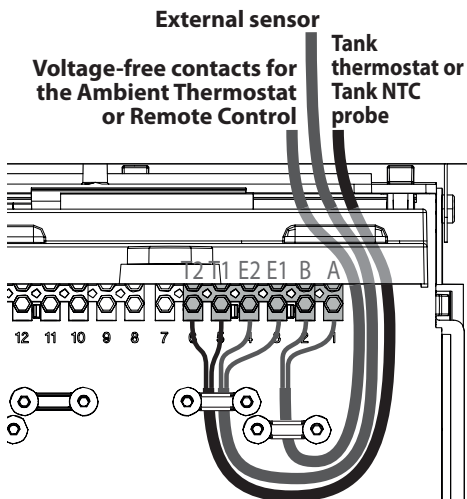


Figure 5.28

PROGRAMMING

The boiler is set by the manufacturer in tank mode with a thermostat.

Verifying tank with thermostat

- Enter "programming mode" by pressing the 12 and 14 (Figure 5.29) until **HiS** (Boiler History) appears on the LCD display (Figure 5.30).

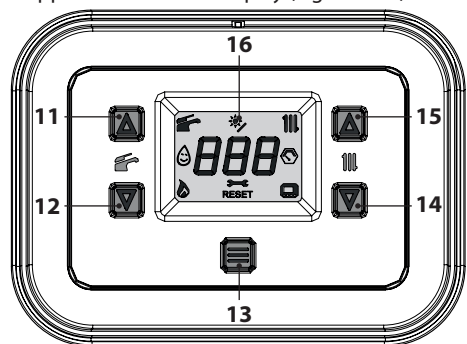


Figure 5.29

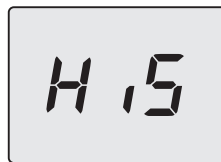


Figure 5.30

- Scroll through the various menus by pressing the keys 12 (back) or 14 (forward), until **PAR** (Parameters menu) appears on the LCD display (Figure 5.31).
- Press the 13 key for 1 second to enter the selected menu.



Figure 5.31

- Scroll through the various parameters by pressing the keys 12 (back) or 14 (forward), until **P06**, which alternates with the parameter value, appears on the LCD display (Figure 5.32).
- Check that the value of parameter **P06** (DHW control device type) is **05** = Thermostat ON/OFF (tank/heating only).



Figure 5.32

To exit the parameters menu:

- wait 15 minutes without pressing any key;
- switch off the electric power supply;

INSTALLATION

- press the 12 and 14 keys simultaneously for 5 seconds (Figure 5.29) (return to previous level).

Setting with tank NTC probe

- Enter “programming mode” by following the procedure detailed above.
- Scroll through the various parameters by pressing the keys 12 (back) or 14 (forward), until **P06**, which alternates with the parameter value, appears on the LCD display (Figure 5.33).

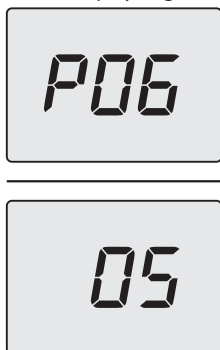


Figure 5.33

- Press the 13 button for 1 second (Figure 5.29) to open the selected parameter. The display will show the following (Figure 5.34):

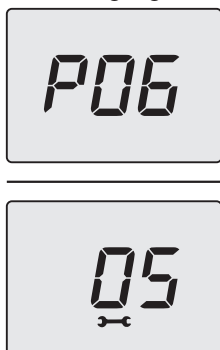


Figure 5.34

- Use buttons 12 or 14 to modify the value of parameter **P06** according to the configuration used (Figure 5.35).

PAR.	VALUE	DESCRIPTION
P06	05	Thermostat ON/OFF (tank/heating only)
	04	NTC probe (tank with probe)

Figure 5.35

- Press button 13 (Figure 5.29) to confirm the value entered. The display will show the following (Figure 5.36) for 5 seconds, then move up to the next level.

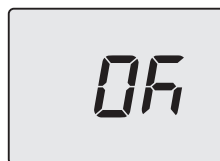


Figure 5.36

- Press the keys 12 and 14 simultaneously (Figure 5.29) to exit the level without changing the value (return to the previous level).

To exit the parameters menu:

- wait 15 minutes without pressing any key;
- switch off the electric power supply;
- press the 12 and 14 keys simultaneously for 5 seconds (Figure 5.29) (return to previous level).

5.15 Anti-legionella function

Anti-legionella mode is used to eliminate any micro-organisms, increasing the temperature of the water in the tank to above 65°C for a maximum period of 15 minutes.

To activate the anti-legionella function, the tank must have an NTC probe, positioning it in the specific probe holder in the tank, and the boiler must be set for this type of operation.

INSTALLATION

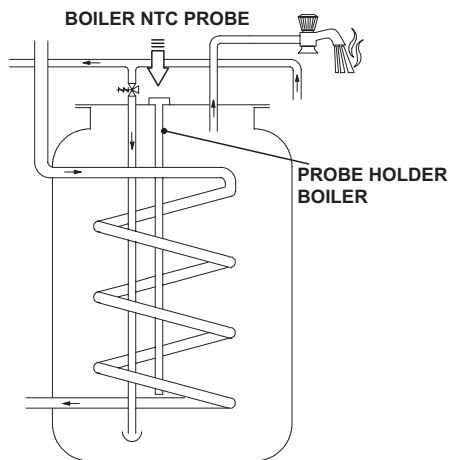


Figure 5.37

Setting anti-legionella temperature

- Enter "programming mode" by pressing the 12 and 14 keys simultaneously for 5 seconds (Figure 5.38) until **HiS** (Boiler History) appears on the LCD display (Figure 5.39).

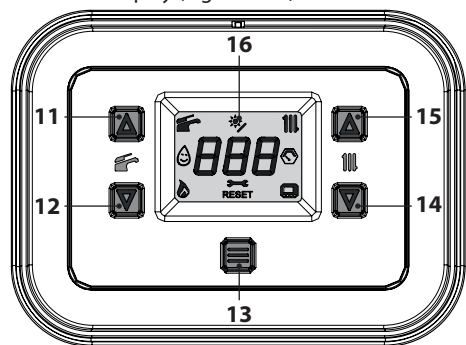


Figure 5.38

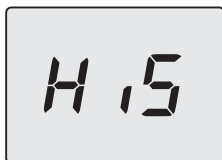


Figure 5.39

- Scroll through the various menus by pressing the keys 12 (back) or 14 (forward), until **PAr**

(Parameters menu) appears on the LCD display (Figure 5.40).

- Press the 13 key for 1 second to enter the selected menu.



Figure 5.40

- Scroll through the various parameters by pressing the keys 12 (back) or 14 (forward), until **P28**, which alternates with the parameter value, appears on the LCD display (Figure 5.41).



Figure 5.41

- Press the 13 key for 1 second (Figure 5.38) to enter the selected parameter. The display will show the following (Figure 5.42).



Figure 5.42

INSTALLATION

- Use buttons 12 or 14 to modify the value of parameter **P28** between 0°C and 70°C. **Do NOT set this value to below 65°C.**
- Press button 13 (Figure 5.38) to confirm the value entered. The display will show the following (Figure 5.43) for 5 seconds, then move up to the next level.



Figure 5.43

- Press the keys 12 and 14 simultaneously (Figure 5.38) to exit the level without changing the value (return to the previous level).

To exit the parameters menu:

- wait 15 minutes without pressing any key;
- switch off the electric power supply;
- press the 12 and 14 keys simultaneously for 5 seconds (Figure 5.38) (return to previous level).

Setting the anti-legionella activation frequency

- Enter “programming mode” by following the procedure detailed above.
- Scroll through the various parameters by pressing the keys 12 (back) or 14 (forward), until **P29**, which alternates with the parameter value, appears on the LCD display (Figure 5.44).

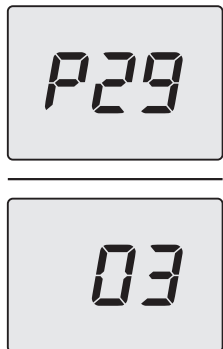


Figure 5.44

- Press the 13 key for 1 second (Figure 5.38) to enter the selected parameter. The display will show the following (Figure 5.45).



Figure 5.45

- Use buttons 12 or 14 to modify the value of parameter **P29** to between 00 and 07 days. **This value is factory-set to 03 days.**
- Press button 13 (Figure 5.38) to confirm the value entered. The display will show the following (Figure 5.46) for 5 seconds, then move up to the next level.

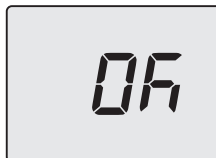


Figure 5.46

- Press the keys 12 and 14 simultaneously (Figure 5.38) to exit the level without changing the value (return to the previous level).

To exit the parameters menu:

- wait 15 minutes without pressing any key;
- switch off the electric power supply;
- press the 12 and 14 keys simultaneously for 5 seconds (Figure 5.38) (return to previous level).

This function is activated 12 hours after being set.

INSTALLATION

5.16 Installing the external temperature sensor (optional)

The external probe must be installed on an external wall of the building avoiding:

- Direct radiation of the sun's rays.
- Damp walls or walls where mould forms.
- Installation near fans, drain outlets or chimneys.

5.17 Electrical connection between the boiler and the external sensor

To connect the external sensor to the boiler, use electric cables with a cross section of no less than 0.50 mm².

The electrical conductors for connecting the external sensor to the boiler must go through different channels to those for the mains voltage (230 V), as they are supplied at a safe low voltage and cannot exceed 20 metres in length.

Use the terminals indicated in Figure 5.25 to connect the external sensor.

The path of the external probe connection wires must follow the path indicated in Figure 5.25.

Make the boiler cables exit using specific cable glands **R** (Figure 5.27).

5.18 Selecting the type of external sensor

The boiler is set to operate without an external sensor.

If an external sensor (optional) **IS CONNECTED** to the boiler, the correct parameter must be set according to the type of probe installed.

Sequence for setting the type of external sensor

- Enter "programming mode" by pressing the 12 and 14 keys simultaneously for 5 seconds (Figure 5.47) until **HiS** (Boiler History) appears on the LCD display (Figure 5.48).

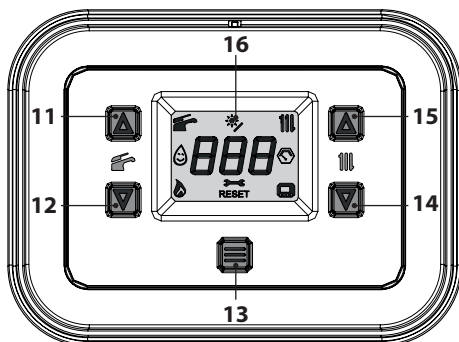


Figure 5.47

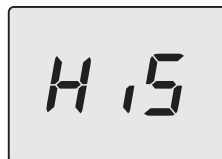


Figure 5.48

- Scroll through the various menus by pressing the keys 12 (back) or 14 (forward), until **PAR** (Parameters menu) appears on the LCD display (Figure 5.49).
- Press the 13 key for 1 second to enter the selected menu.



Figure 5.49

- Scroll through the various parameters by pressing the keys 12 (back) or 14 (forward), until **P57**, which alternates with the parameter value, appears on the LCD display (Figure 5.50).

INSTALLATION

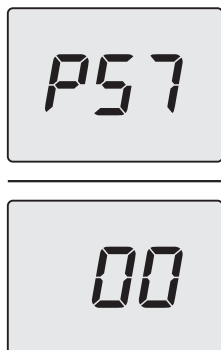


Figure 5.50

- Press the 13 key for 1 second (Figure 5.47) to enter the selected parameter. The display will show the following (Figure 5.51).

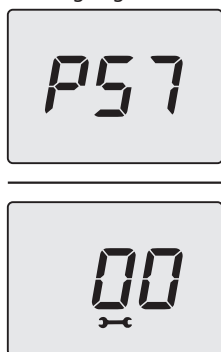


Figure 5.51

- Use keys 12 or 14 to modify the value of parameter 57 according to the type of probe installed (Figure 5.52).

PAR.	VALUE	DESCRIPTION
P57	00	Sensor not present (factory settings)
	01	External sensor with 12 kOhm NTC
	02	External sensor with 10 kOhm NTC

Figure 5.52

- Press button 13 (Figure 5.47) to confirm the value entered. The display will show the following

(Figure 5.53) for 5 seconds, then move up to the next level.

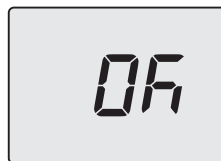


Figure 5.53

- Press the keys 12 and 14 simultaneously (Figure 5.47) to exit the level without changing the value (return to the previous level).

To exit the parameters menu:

- wait 15 minutes without pressing any key;
- switch off the electric power supply;
- press the 12 and 14 keys simultaneously for 5 seconds (Figure 5.47) (return to previous level).

5.19 Electrical connection of the remote (optional)

Use the terminals indicated in Figure 5.25 to connect the remote.

To connect the remote control to the boiler, refer also to the REMOTE CONTROL manual.

The electric jumper between "A and B" must be removed.

The path of the remote control cable must follow the path indicated in Figure 5.25.

Make the boiler cables exit using specific cable glands **R** (Figure 5.27).

5.20 Enabling operation with the external sensor and setting the K coefficient

The boiler is set with a K coefficient equal to zero for boiler operation without the probe connected.

If the remote control **IS CONNECTED** to the boiler (optional), refer to Figure 5.54.

INSTALLATION

In this case, the K coefficient must be set remotely.

Delivery temperature °C

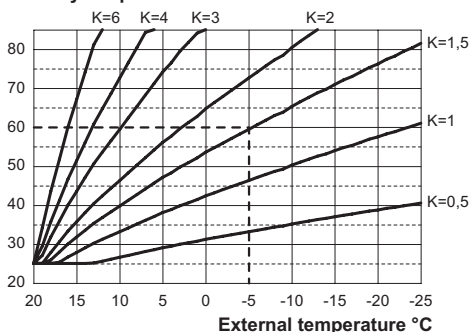


Figure 5.54

The K coefficient is a parameter that increases or decreases the boiler delivery temperature as the outdoor temperature varies.

When installing the external sensor, this parameter must be set based on the efficiency of the heating system to optimise the delivery temperature (Figure 5.54).

E.g. To achieve a heating system delivery temperature of 60°C with an outdoor temperature of -5°C, set a K of 1.5 (dashed line in Figure 5.54).

Sequence for setting the K coefficient

- Enter "programming mode" by pressing the 12 and 14 keys simultaneously for 5 seconds (Figure 5.55) until **HiS** (Boiler History) appears on the LCD display (Figure 5.56).

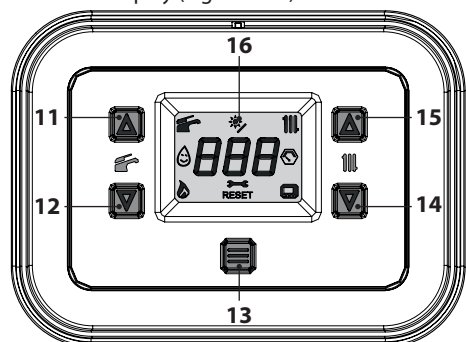


Figure 5.55



Figure 5.56

- Scroll through the various menus by pressing the keys 12 (back) or 14 (forward), until **PAR** (Parameters menu) appears on the LCD display (Figure 5.57).
- Press the 13 key for 1 second to enter the selected menu.



Figure 5.57

- Scroll through the various parameters by pressing the keys 12 (back) or 14 (forward), until **P14**, which alternates with the parameter value, appears on the LCD display (Figure 5.58).

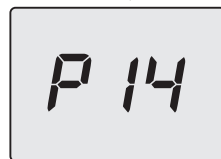


Figure 5.58

- Press the 13 key for 1 second (Figure 5.55) to enter the selected parameter. The display will show the following (Figure 5.59).

INSTALLATION



Figure 5.59

- Pressing the 12 or 14 keys, it is possible to change the value of parameter 14 from a minimum of **00** to a maximum of **60** based on the selected curve of the K coefficient in Figure 5.54 (the value shown on the display, in Figure 5.60, corresponds to **K = 1.5**).

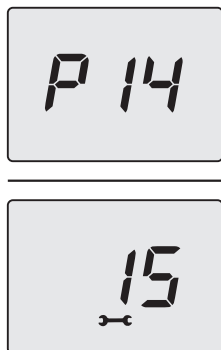


Figure 5.60

- Press button 13 (Figure 5.55) to confirm the value entered. The display will show the following (Figure 5.61) for 5 seconds, then move up to the next level.



Figure 5.61

- Press the keys 12 and 14 simultaneously (Fig-

ure 5.55) to exit the level without changing the value (return to the previous level).

To exit the parameters menu:

- wait 15 minutes without pressing any key;
- switch off the electric power supply;
- press the 12 and 14 keys simultaneously for 5 seconds (Figure 5.55) (return to previous level).

At this point the system delivery temperature will follow the trend in relation to the set K coefficient.

If the room temperature is not comfortable, you can increase or decrease the heating system delivery temperature by $\pm 15^\circ\text{C}$ using the 14 (decrease) and 15 (increase) buttons (Figure 5.55).

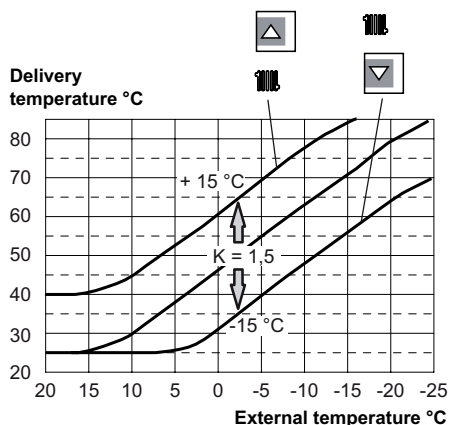


Figure 5.62

The temperature trend when changing the setting using keys 14 and 15 for a K 1.5 is shown in Figure 5.62.

Sequence for setting the K coefficient with the remote connected

Access REMOTE programming and the K coefficient setting can be selected.

- Power the boiler by turning on the two-way switch fitted during installation.
- Press button **P** for more than 3 seconds to enter **INFO** mode (Figure 5.63).

INSTALLATION

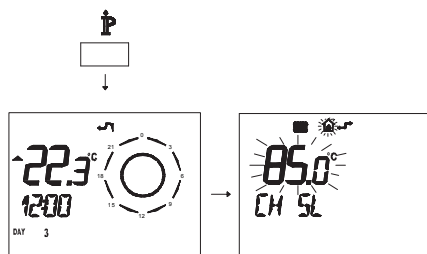


Figure 5.63

Press **OK** to display the K REG window (Figure 5.64).

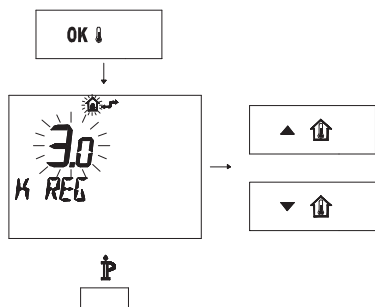


Figure 5.64

Use buttons and to change the value. Press **P** to exit **INFO** mode (Figure 5.64).

5.21 Setting pump post-circulation

The pump, in heating mode, is set for a post-circulation of about one minute at the end of each heat request.

This time can be changed from a minimum of 10 seconds to a maximum of 20 minutes in programming mode, using either the control panel or the remote.

- Enter “programming mode” by pressing the 12 and 14 keys simultaneously for 5 seconds (Figure 5.65) until **HIS** (Boiler History) appears on the LCD display (Figure 5.66).

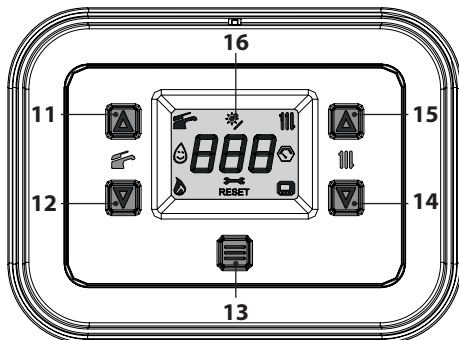


Figure 5.65

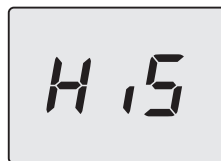


Figure 5.66

- Scroll through the various menus by pressing the keys 12 (back) or 14 (forward), until **PAR** (Parameters menu) appears on the LCD display (Figure 5.67).
- Press the 13 key for 1 second to enter the selected menu.



Figure 5.67

- Scroll through the various parameters by pressing the keys 12 (back) or 14 (forward), until **P12**, which alternates with the parameter value, appears on the LCD display (Figure 5.68).

INSTALLATION

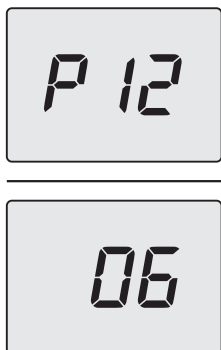


Figure 5.68

- Press the 13 key for 1 second (Figure 5.65) to enter the selected parameter. The display will show the following (Figure 5.69).

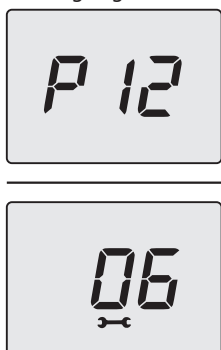


Figure 5.69

- It is possible to modify the value of parameter 12 from **01**=10s to **120**=1200s by pressing the 12 or 14 keys (each unit increase or decrease on the display corresponds to 10 seconds).
- Press button 13 (Figure 5.65) to confirm the value entered. The display will show the following (Figure 5.70) for 5 seconds, then move up to the next level.



Figure 5.70

- Press the keys 12 and 14 simultaneously (Figure 5.65) to exit the level without changing the value (return to the previous level).

To exit the parameters menu:

- wait 15 minutes without pressing any key;
- switch off the electric power supply;
- press the 12 and 14 keys simultaneously for 5 seconds (Figure 5.65) (return to previous level).

5.2.2 Selecting re-ignition frequency

When the boiler functions in normal on/off heating mode, the minimum time between two ignitions is set to 1 minute (re-ignition frequency). This time can be changed from a minimum of 10 seconds to a maximum of 20 minutes in programming mode, using either the control panel or the remote.

- Enter "programming mode" by pressing the 12 and 14 keys simultaneously for 5 seconds (Figure 5.71) until **His** (Boiler History) appears on the LCD display (Figure 5.72).

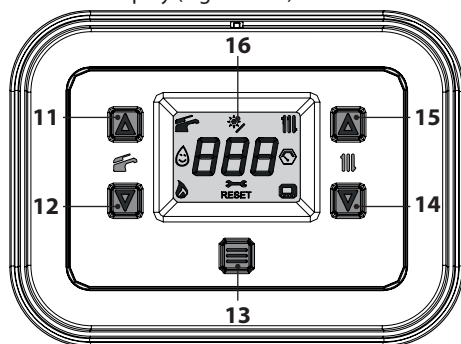


Figure 5.71

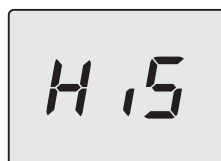


Figure 5.72

INSTALLATION

- Scroll through the various menus by pressing the keys 12 (back) or 14 (forward), until **PAr** (Parameters menu) appears on the LCD display (Figure 5.73).
- Press the 13 key for 1 second to enter the selected menu.



Figure 5.73

- Scroll through the various parameters by pressing the keys 12 (back) or 14 (forward), until **P10**, which alternates with the parameter value, appears on the LCD display (Figure 5.74).

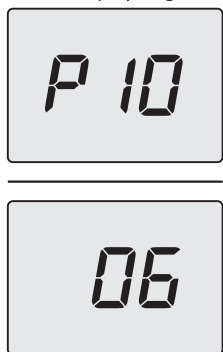


Figure 5.74

- Press the 13 key for 1 second (Figure 5.71) to enter the selected parameter. The display will show the following (6=60 seconds) (Figure 5.75).

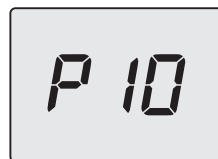


Figure 5.75

- Using keys 12 or 14, it is possible to modify the value of parameter 10 from **1=10s** to **120=1200s** (each unit on the display corresponds to an increase or decrease of 10 seconds).
- Press button 13 (Figure 5.71) to confirm the value entered. The display will show the following (Figure 5.76) for 5 seconds, then move up to the next level.

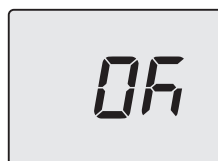


Figure 5.76

- Press the keys 12 and 14 simultaneously (Figure 5.65) to exit the level without changing the value (return to the previous level).

To exit the parameters menu:

- wait 15 minutes without pressing any key;
- switch off the electric power supply;
- press the 12 and 14 keys simultaneously for 5 seconds (Figure 5.71) (return to previous level).

5.23 Examples of hydraulic systems with hydraulic separator (optional)

The hydraulic separator creates a reduced load loss zone that makes the primary circuit and sec-

INSTALLATION

ondary circuit hydraulically independent. In this case, the flow rate that passes through the circuits depends exclusively on the characteristics of the flow rate of the pumps. Therefore by using a hydraulic separator, the secondary circuit's flow rate is circulated only when the relative pump is on. When the pump for the secondary circuit is off, there is no circulation in the corresponding circuit and therefore the flow rate pushed by the pump in the primary circuit is by-passed through the separator. Therefore, with a hydraulic separator it is possible to have a production circuit with a constant flow rate and a distribution circuit with a variable flow rate.

Examples of hydraulic systems

High temperature zone + low temperature zone.

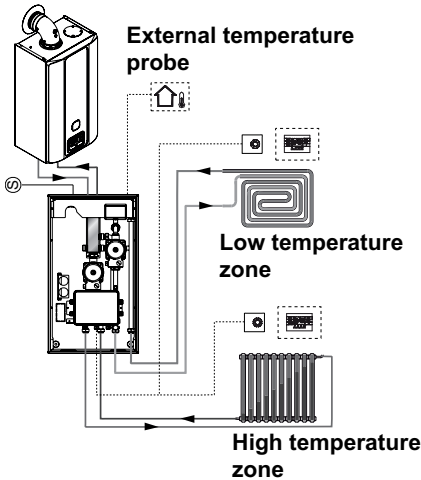


Figure 5.77

High temperature zone + 2 low temperature zones.

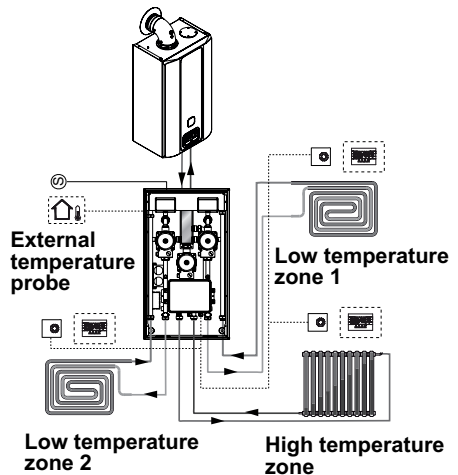


Figure 5.78

PREPARATION FOR SERVICE

6 PREPARATION FOR SERVICE

6.1 Warnings

Before performing the operations described below, make sure that the installed two-way switch is in the off position.

6.2 Sequence of operations

Gas supply

- Open the cock for the gas meter and for the boiler 6 in Figure 6.1.

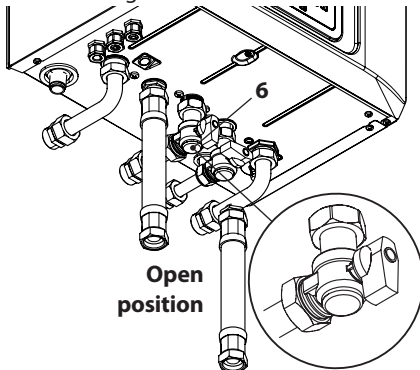


Figure 6.1

- Check for leaks in the gas fitting using a soapy solution or equivalent.
- Close the gas cock 6 in Figure 6.2.

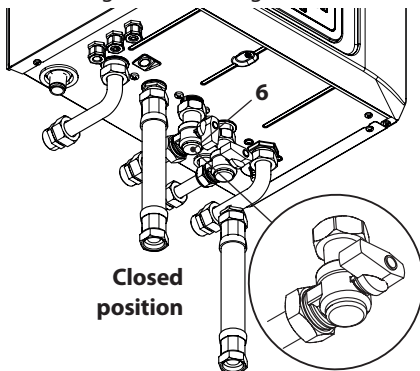


Figure 6.2

Filling the circuit

- Remove the front panel on the body, see section "Removing the body panels" on page 69.
- Open the installed water cocks.
- Open one or more hot water cocks to bleed the pipes.
- Loosen the automatic bleed valve cap 23 in Figure 6.3.

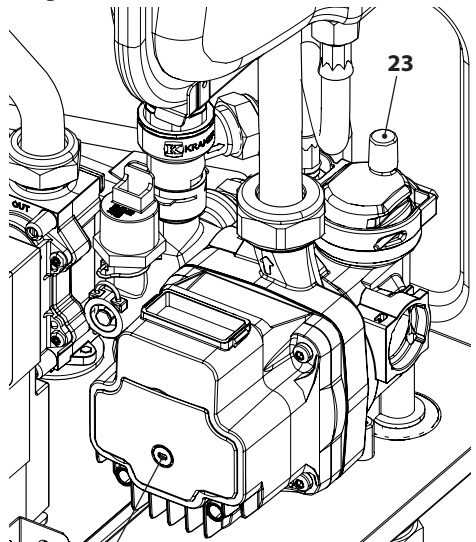


Figure 6.3

- Open the radiator cocks.
- Fill the heating circuit, see section "Filling the heating circuit" on page 16.
- Bleed the radiators and the various high points of the installation, then close any manual bleeding devices again.
- Remove the cap 25 in Figure 6.3 and release the pump by turning the impeller using a screwdriver.
Bleed the pump during this operation.
- Close the pump cap.
- Finish filling the heating system.
The installation as well as the pump must be bled multiple times.

PREPARATION FOR SERVICE



Fill the condensate discharge siphon with a half litre of water to prevent smoke from exiting at first ignition.

The flue gas intake positioned on the flue gas outlet can be used for this operation (Figure 6.4).

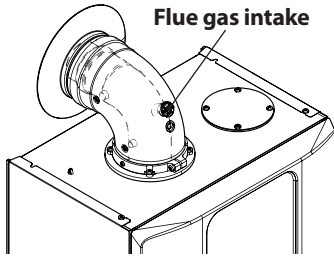


Figure 6.4




- Assemble the front panel of the body.
- Power the boiler by turning on the two-way switch fitted during installation. The LCD display shows the symbol  (the dashes light up in sequence to simulate a scrolling motion) (Figure 6.5).



Figure 6.5

- Press button 13 for 5 seconds until both symbols  and  appear on the display (Figure 6.6).

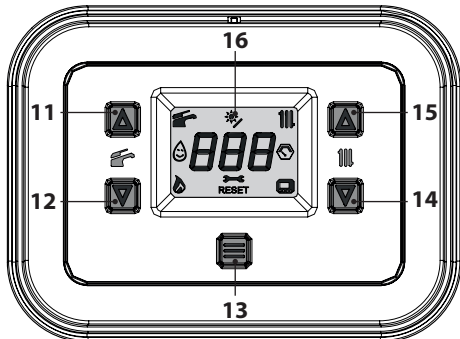


Figure 6.6




The LCD display shows the boiler temperature (primary circuit) and the symbols  and  (Figure 6.7).



Figure 6.7

- Open the gas cock.
- Make sure that the ambient thermostat is in the "heat request" position.
- Check the correct operation of the boiler, both in DHW mode and in heating mode.
- Check the gas pressures and flow rates as shown in section "CHECKING THE GAS SETTING" on page 62 of this manual.
- Check that the condensate produced during operation fills the siphon and is drained correctly in the system discharge pipe.
- Turn off the boiler by pressing button 13 (Figure 6.6) for 5 seconds until the symbol  appears on the display (the dashes light up in sequence to simulate a scrolling motion) (Figure 6.5).
- Show the user how to use the appliance correctly and also explain:
 - ignition;
 - shut off;
 - making adjustments.

The user is responsible for keeping the documentation together and intact, and within reach for consultation.

CHECKING THE GAS SETTINGS

7 CHECKING THE GAS SETTING

7.1 Warnings



Each time after measuring the gas pressure, fully close all tapping points that were used.

After each gas adjustment, the valve adjustment components must be sealed.



Warning: risk of electrocution.

The boiler is live during the operations described in this section. Never touch any electrical parts.

7.2 Gas operations and setting

- Remove the front panel on the boiler body, see section "Removing the body panels" on page 69.

Checking the network pressure

- With the boiler turned off (out of service), check the supply pressure using the tapping point 26 in Figure 7.1 and compare the value read with those shown in the Gas supply pressure table in section "Technical data M300V.1616 SV" on page 26, "Technical data M300V.2025 SV" page 29 and "Technical data M300V.3035 SV" page 32.
- Fully close the tapping point 26 in Figure 7.1.

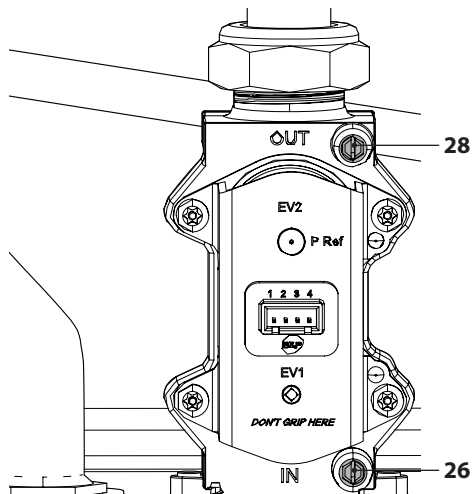


Figure 7.1

Check minimum burner pressure

- Connect a flue analyser to the flue gas analysis outlets on the flue gas exhaust on the boiler Figure 7.2.

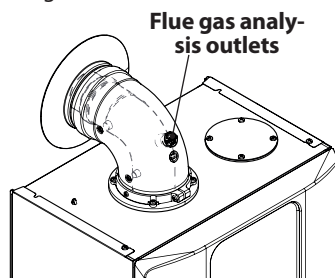


Figure 7.2

- Make sure that the room thermostat is in the "heat request" position.
- Draw off an abundant amount of DHW by opening the taps.
- Enter "programming mode" by pressing the 12 and 14 keys simultaneously for 5 seconds (Figure 7.3) until **HiS** (Boiler History) appears on the LCD display (Figure 7.4).

CHECKING THE GAS SETTINGS

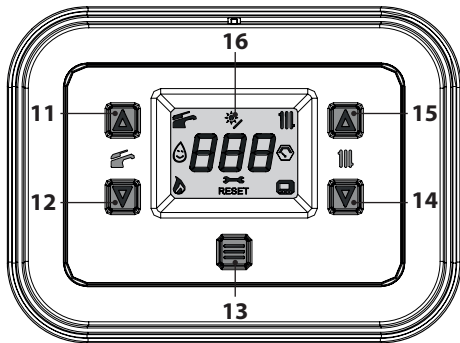


Figure 7.3



Figure 7.4

- Scroll through the various menus by pressing the keys 12 (back) or 14 (forward), until **Ch5** (Chimney sweep) appears on the LCD display (Figure 7.5).
- Press the 13 key for 1 second to enter the selected menu.



Figure 7.5

- The letters **LP**, alternating with the minimum heating water temperature (e.g. **45**), appear on the screen indicating the activation of the "chimney sweep function" at minimum power (Figure 7.6).



Figure 7.6

- Compare the value of **CO₂** read on the flue gas analyser with the one in the "Data in DHW mode" table and the values of **CO₂ at Q.min.** section "Technical data M300V.1616 SV" on page 26, "Technical data M300V.2025 SV" page 29 and "Technical data M300V.3035 SV" page 32.

Check maximum burner pressure

- Press button 14 3 times until the LCD display indicates the letters **dP** (chimney sweep active in maximum DHW mode) that alternate with the value of the heating water temperature (e.g. **60**), indicating the activation of the "chimney sweep function" at maximum output in DHW mode (Figure 7.7).



Figure 7.7

- Compare the value of **CO₂** read on the flue gas analyser with the **CO₂ value at Q.nom** in

CHECKING THE GAS SETTINGS

DHW mode as stated in section "Technical data M300V.1616 SV" on page 26, "Technical data M300V.2025 SV" page 29 and "Technical data M300V.3035 SV" page 32.

If the two values do not coincide with the value shown in section "Technical data M300V.1616 SV" on page 26, "Technical data M300V.2025 SV" page 29 and "Technical data M300V.3035 SV" page 32, exit programming mode by pressing the 13 key for 5 seconds and carry out the "Automatic calibration of the gas valve" page 64.

7.3 Automatic calibration of the gas valve

When replacing the panel board, the fan or gas valve, or parameter **P01** on the control board is changed, the gas valve must be calibrated in order to carry out **CO₂** calibration at maximum boiler output.

- Connect a flue analyser to the flue gas analysis outlets on the flue gas exhaust on the boiler Figure 7.2.
- Make sure that the room thermostat is in the "heat request" position.
- Draw off an abundant amount of DHW by opening the taps.
- Enter "programming mode" by pressing the 12 and 14 keys simultaneously for 5 seconds (Figure 7.8) until **HiS** (Boiler History) appears on the LCD display (Figure 7.9).

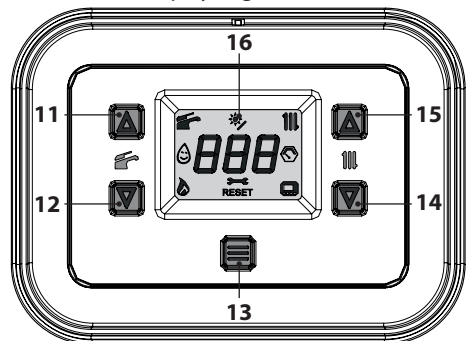


Figure 7.8

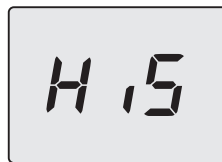


Figure 7.9

- Scroll through the various menus by pressing the keys 12 (back) or 14 (forward), until **CAF** appears on the LCD display (Figure 7.10).



Figure 7.10

- Press the 13 key (Figure 7.8) until the **StF** (Start Full), alternating with **34** (calibration value), appears on the LCD display (Figure 7.11).



Figure 7.11

- Allow the program to perform the entire process, at the end of which **FuF** (Full Finish) will be displayed (Figure 7.12).



Figure 7.12

CHECKING THE GAS SETTINGS


To exit the parameters menu:

- wait 15 minutes without pressing any key;
 - switch off the electric power supply;
 - press the 12 and 14 keys simultaneously for 5 seconds (Figure 7.8) (return to previous level).
-
- Check the precise gas calibration of the boiler, referring to section "Gas operations and setting" on page 62.

GAS CONVERSION

8 GAS CONVERSION

8.1 Warnings

-  The operations to adapt the boiler to the type of gas available must be carried out by an authorised service centre.

8.2 Gas operations and setting

The boiler is factory set to operate with natural gas (G20).

To set boiler operation to **LPG gas (G31)**, carry out the following settings:

- Enter “programming mode” by pressing the 12 and 14 keys simultaneously for 5 seconds (Figure 8.1) until **HiS** (Boiler History) appears on the LCD display (Figure 8.2).

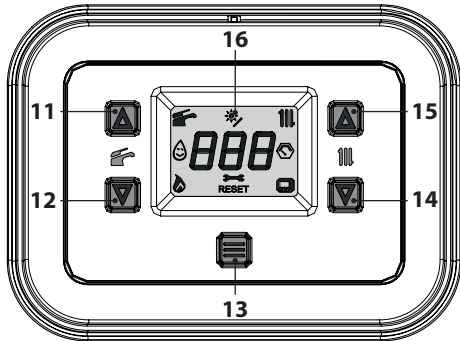


Figure 8.1



Figure 8.2

- Scroll through the various menus by pressing the keys 12 (back) or 14 (forward), until **PAr** (Parameters menu) appears on the LCD display (Figure 8.3).
- Press the 13 key for 1 second to enter the selected menu.



Figure 8.3

- Scroll through the various parameters by pressing the keys 12 (back) or 14 (forward), until **P02** (Gas type selection), which alternates with the parameter value, appears on the LCD display (Figure 8.4).



Figure 8.4

- Press the 13 key for 1 second (Figure 8.1) to enter the selected parameter. The display will show the following (Figure 8.5).



Figure 8.5

- The value of parameter 02 can be changed from **00=G20** to **01=G31**, which is compatible with LPG, using the 12 or 14 keys (Figure 8.6).

GAS CONVERSION

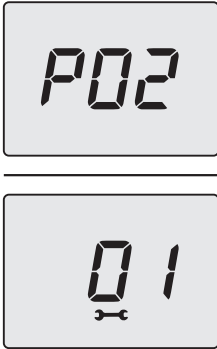


Figure 8.6

- press the 12 and 14 keys simultaneously for 5 seconds (Figure 8.1) (return to previous level).
- Apply the label indicating the type of gas and the pressure value for which the unit is set. The self-adhesive label is contained in the documentation envelope attached to the boiler.

- Press button 13 (Figure 8.1) to confirm the value entered. The display will show the following (Figure 8.7) for 5 seconds, then move up to the next level.



Figure 8.7

- By pressing the keys 12 and 14 simultaneously (Figure 8.1) exits the level without changing the value (return to the previous level Figure 8.4).
- Scroll through the various menus by pressing the keys 12 (back) or 14 (forward), until **CAF** appears on the LCD display (Figure 8.8).



Figure 8.8

For calibration, see section "Automatic calibration of the gas valve" on page 64.

To exit the parameters menu:

- wait 15 minutes without pressing any key;
- switch off the electric power supply;

MAINTENANCE

9 MAINTENANCE

9.1 Warnings



Protective gloves must be worn.



Cool down the appliance by shutting off the gas cock and withdrawing a large quantity of water by opening the system's DHW cocks.



The operations described in this section must only be performed by professionally qualified personnel, therefore you are advised to contact an authorised service centre.

For efficient and continuous boiler operation, the user must have maintenance and cleaning carried out once a year by an authorised service centre technician. If these operations are not carried out, damage to components and boiler operation problems will not be covered by the standard warranty.

Before performing any cleaning or maintenance operation or before opening or removing the boiler panels, **isolate the unit from the electric power supply** using the two-way switch installed in the system and **close the gas cock**.

9.2 Programming the maintenance period

- Enter "programming mode" by pressing the 12 and 14 keys simultaneously for 5 seconds (Figure 9.1) until **HiS** (Boiler History) appears on the LCD display (Figure 9.2).

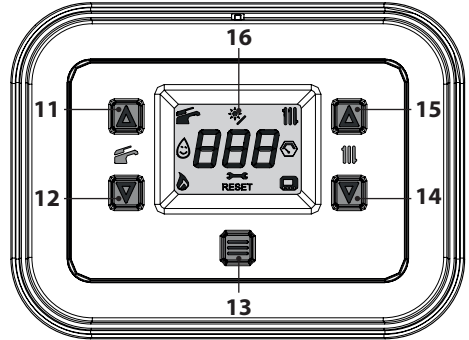


Figure 9.1



Figure 9.2

- Scroll through the various menus by pressing the keys 12 (back) or 14 (forward), until **PAr** (Parameters menu) appears on the LCD display (Figure 9.3).
- Press the 13 key for 1 second to enter the selected menu.



Figure 9.3

- Scroll through the various parameters by pressing the keys 12 (back) or 14 (forward), until **P34**, which alternates with the parameter value, appears on the LCD display (Figure 9.4).

MAINTENANCE




Figure 9.4

- Press the 13 key for 1 second (Figure 5.71) to enter the selected parameter. The display will show the following (Figure 9.5).



Figure 9.5

- The value of parameter 34 can be changed from **00** to **48** months, using the 12 or 14 keys. It is possible to set parameter 35 to **99** thereby disabling the maintenance request (symbol  will disappear from the display).
- Press button 13 (Figure 9.1) to confirm the value entered. The display will show the following (Figure 9.6) for 5 seconds, then move up to the next level.

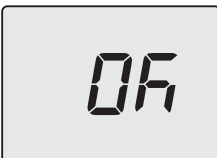


Figure 9.6

To exit the parameters menu:

- wait 15 minutes without pressing any key;
- switch off the electric power supply;
- press the 12 and 14 keys simultaneously for 5 seconds (Figure 9.1) (return to previous level).

9.3 Removing the body panels

Front panel

- Unscrew the screws **A** and remove the front panel **D** by pulling it towards you and then pushing it upwards in order to free it from the upper seats (Figure 9.7 and Figure 9.8).

Side panels

Loosen the screws **B**, **C**, **G** and **H** in Figure 9.7 and remove the two side panels **E** and **F** push them outwards.

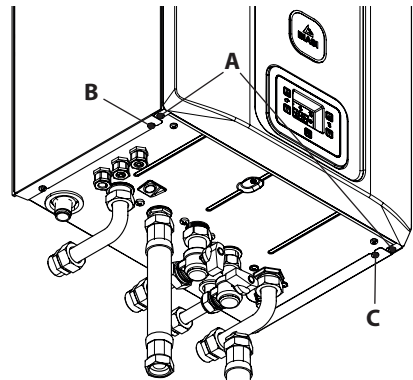


Figure 9.7

MAINTENANCE

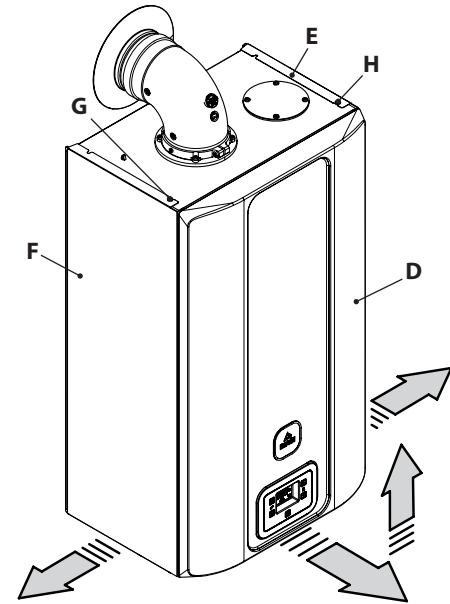


Figure 9.8

Control panel

Remove screws I and turn the control panel J, as shown in figure Figure 9.9, for optimal access to the internal components of the boiler.

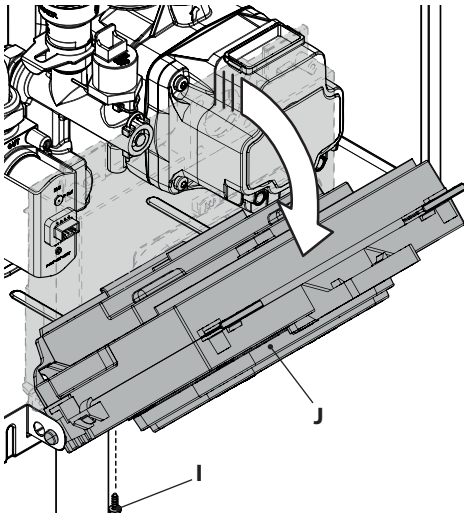


Figure 9.9

9.4 Reinstalling the body panels

Side panels

Reinstall the side panels E and F following the operations described in section "Removing the body panels" on page 69 in reverse order.

Front panel

Reinstall the front panels D working in the reverse order to that described in section "Removing the body panels" on page 69.

9.5 Emptying the DHW circuit

- Close the installed DHW inlet cocks .
- Open the system's DHW cocks.

9.6 Emptying the heating circuit

- Close the installed heating system delivery and return cocks.
- Loosen the heating circuit drain cock 10 indicated in Figure 9.10.

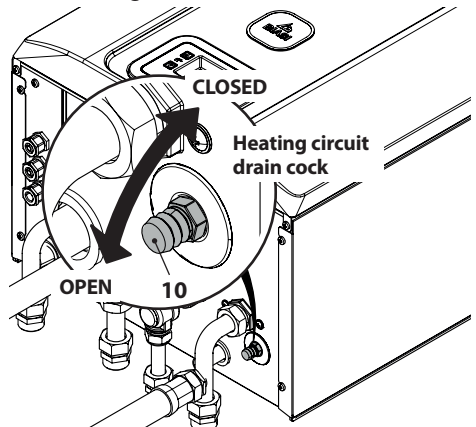


Figure 9.10

- To make draining easier, unscrew the automatic bleed valve cap 23 in Figure 9.11.

MAINTENANCE

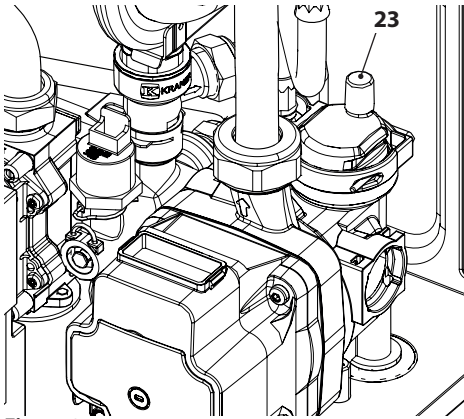


Figure 9.11

9.7 Cleaning the primary condensate exchanger and the burner

Removing the burner fan unit 35 in Figure 9.12.

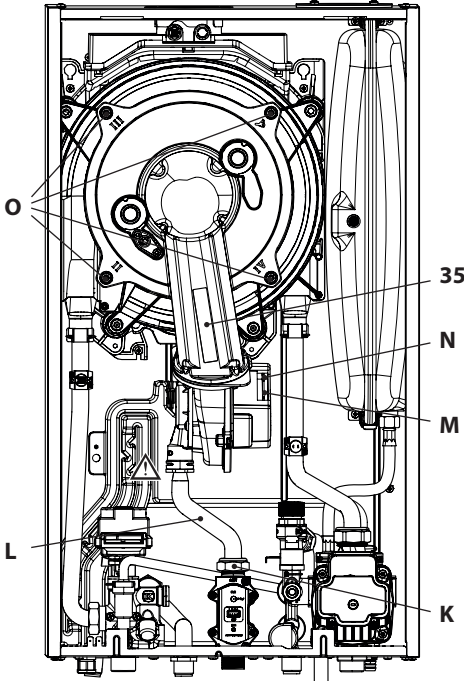


Figure 9.12

- Remove the front panel of the body and turn the control panel (see "Removing the body panels" on page 69).
- Disconnect the wiring of the ignition and detection electrodes.
- Unscrew the gas swivel joint **K** and remove the pipe **L**.
- Disconnect the connector **M** by pulling it downwards (Figure 9.12).
- Disconnect the fan connector **N** by pulling it downwards (Figure 9.12).
- Loosen the nuts **O** and remove the fan burner unit 35 (Figure 9.12)
- Extract the burner casing by pulling it outwards.
- The silicon gasket on the front panel of the combustion chamber Figure 9.13 must be changed if it becomes worn.

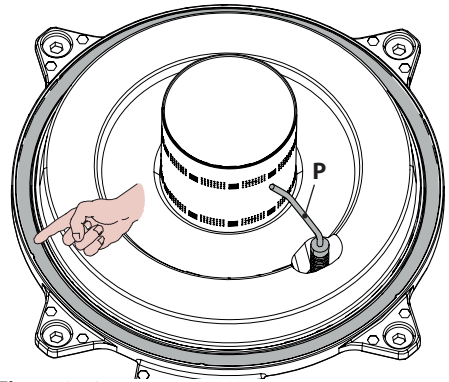


Figure 9.13

- The ignition/detection electrode **P** in Figure 9.13 also serves as a sensor for correctly draining the condensate.
- If this electrode comes into contact with the condensate water in the combustion chamber, the boiler goes into safety lockout. Replace the insulation where wet or worn.



Remove any build-up from the ignition/detection electrode, or replace it if worn/damaged. In any case, it must be replaced every 2 years.

MAINTENANCE

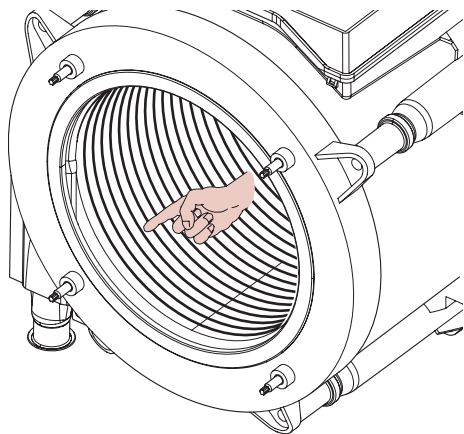


Figure 9.14

If there is any dirt on parts of the primary condensate exchanger (which can be seen after removing the burner casing), brush them with a bristle brush and then remove the dirt using a vacuum cleaner.

The burner does not require particular maintenance, simply dust it off using a bristle brush. More specific maintenance will be assessed and performed by a technician from an Authorised Service Centre.



For reassembly, repeat the operations but in reverse order, being careful not to damage the gas pipe OR gasket when the pipe is inserted in the gas/air diaphragm. Carry out the gas tightness test after tightening the gas pipe swivel joint.

9.8 Check the pressure in the heating expansion tank

Empty the heating circuit as described in section "Emptying the heating circuit" on page 70 and check that the expansion tank pressure is not less than 1 bar.

If the pressure is lower, correct the pressure.

9.9 Cleaning the domestic hot water exchanger

Descaling the domestic hot water exchanger will be assessed by a technician from an Authorised Service Centre, who will perform the cleaning using specific products.

9.10 Checking the flue gas expulsion duct

Have a technician from an authorised service centre periodically check the condition of the flue gas exhaust duct, the air duct and the efficiency of the flue gas safety circuit (at least once a year).

9.11 Checking boiler efficiency

Carry out performance checks at the intervals anticipated by the regulations in force.

- Connect a flue analyser to the flue gas analysis outlets on the flue gas exhaust on the boiler Figure 9.15.

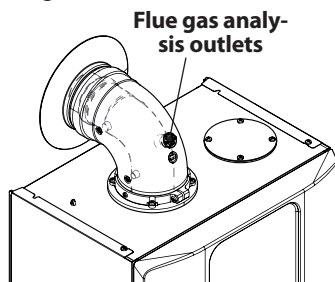


Figure 9.15

- Make sure that the room thermostat is in the "heat request" position.
- Draw off an abundant amount of DHW by opening the taps.
- Activate the "chimney sweep function" at maximum output in heating mode (see "Setting the boiler's chimney sweep function" on page 73)
- Check the boiler combustion using the outlets located on the flue pipes (Figure 9.15) and compare the data measured with the following.

MAINTENANCE

Model M300V.1616 SV		
Nominal heat input	kW	17,0
Nominal efficiency	%	98,1
Combustion efficiency	%	98,5
Air index	n	1,3
Composition of CO ₂ fumes	%	8,5 - 9,5
Composition of O ₂ fumes	%	4,8
Composition of CO fumes	ppm	220
Flue gas temperature	°C	75

Values refer to tests with 80 mm 1 + 1 m twin pipe discharge and Methane gas G20 and with heating delivery/return temperature of 60°/80°C

Figure 9.16

Model M300V.2025 SV		
Nominal heat input	kW	21,0
Nominal efficiency	%	98,4
Combustion efficiency	%	98,7
Air index	n	1,3
Composition of CO ₂ fumes	%	8,5 - 9,5
Composition of O ₂ fumes	%	4,8
Composition of CO fumes	ppm	220
Flue gas temperature	°C	78

Values refer to tests with 80 mm 1 + 1 m twin pipe discharge and Methane gas G20 and with heating delivery/return temperature of 60°/80°C

Figure 9.17

Model M300V.3035 SV		
Nominal heat input	kW	31,0
Nominal efficiency	%	98,8
Combustion efficiency	%	99,0
Air index	n	1,7
Composition of CO ₂ fumes	%	8,5 - 9,5
Composition of O ₂ fumes	%	4,8
Composition of CO fumes	ppm	200
Flue gas temperature	°C	78

Values refer to tests with 80 mm 1 + 1 m twin pipe discharge and Methane gas G20 and with heating delivery/return temperature of 60°/80°C

Figure 9.18

9.12 Checking the condensate discharge siphon

The condensate discharge siphon 30 (Figure 9.19) does not require particular maintenance. Simply check:

- that solid deposits have not formed and remove them if necessary.
- that the condensate outlet pipes are not obstructed.

To clean the inside of the siphon, simply remove it and turn it upside down so that any impurities can be extracted.

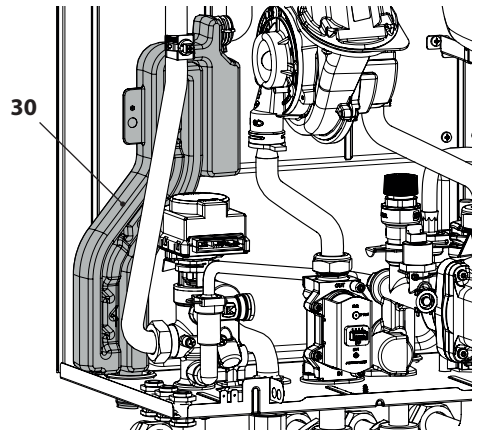


Figure 9.19

9.13 Setting the boiler's chimney sweep function

With the boiler set to chimney sweep mode, some automatic boiler functions can be disabled, which makes checking and monitoring operations easier.

- Enter "programming mode" by pressing the 12 and 14 keys simultaneously for 5 seconds (Figure 9.20) until **HiS** (Boiler History) appears on the LCD display (Figure 9.21).

MAINTENANCE

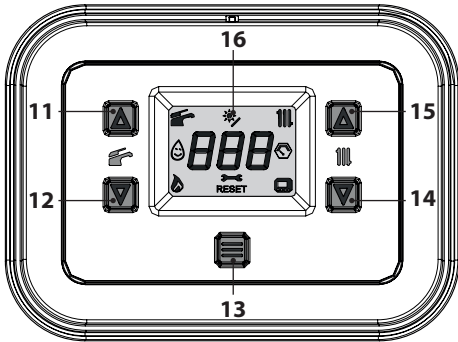


Figure 9.20



Figure 9.21

- Scroll through the various menus by pressing the keys 12 (back) or 14 (forward), until **ChS** (Chimney sweep) appears on the LCD display (Figure 9.22).
- Press the 13 key for 1 second to enter the selected menu.



Figure 9.22

Chimney sweep function at minimum output in domestic hot water mode

- Scroll through the various parameters by pressing the keys 12 (back) or 14 (forward) until **LP**, which alternates with the minimum heating water temperature (e.g. **45**), appears on the LCD display indicating the activation of the "chimney sweep function" at minimum power (Figure 9.23).



Figure 9.23

Chimney sweep function at minimum output in heating mode

- Press button 14 (Figure 9.20) to vary the output in chimney sweep mode: when the LCD displays the letters **hP** that alternate with the temperature of the heating water (e.g. **32**), the "chimney sweep function" is at maximum output in heating mode (Figure 9.24).

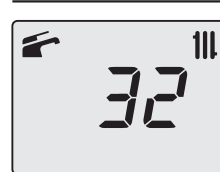


Figure 9.24

Chimney sweep function at maximum output in heating mode

- Press button 14 (Figure 9.20) to vary the output in chimney sweep mode: when the LCD displays the letters **cP** that alternate with the temperature of the heating water (e.g. **60**), the "chimney sweep function" is at maximum output in heating mode (Figure 9.25).

MAINTENANCE

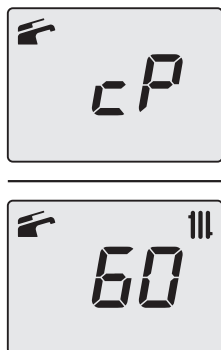


Figure 9.25

Chimney sweep function at maximum output in domestic hot water mode

- Press button 14 (Figure 9.20) again to vary the output in chimney sweep mode: when the LCD displays the letters **dP** that alternate with the temperature of the heating water (e.g. **60**), the "chimney sweep function" is at maximum output in domestic hot water mode (Figure 9.26);

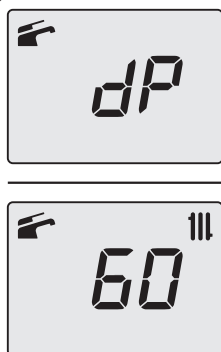


Figure 9.26

- Press keys 12 and 14 simultaneously (Figure 9.20) for 1 second to exit "chimney sweep mode" and return to the menu list.

To exit the parameters menu:

- wait 15 minutes without pressing any key;
- switch off the electric power supply;
- press the 12 and 14 keys simultaneously for 5 seconds (Figure 9.20) (return to previous

level).

9.14 Settings for changing the control board

When the control board is replaced, it must be configured for the exact boiler type.

Important: In order to check boiler operation and any change to factory-set parameters, the table in Figure 9.27 must be completed with the values that are displayed when scrolling through the control board configuration parameters.

This makes it possible to correctly adjust the boiler if the control board is replaced.

PARAMETERS	LCD	VALUE
Boiler model/type	P01	
Type of gas	P02	
User interface	P03	
Type of domestic hot water exchanger	P04	
Type of primary circuit control device	P05	
Type of DHW flow control device	P06	
Maximum Temperature heating delivery (°C)	P07	
Minimum heating delivery temperature (°C)	P08	
Maximum heating output (%)	P09	
Re-ignition frequency in heating mode (*10 sec.)	P10	
Adjusting the minimum pump speed (%)	P11	
Pump post-circulation	P12	
Pump mode operation	P13	
Value of the external sensor K	P14	
Correct heating system pressure (*10 bar)	P15	

MAINTENANCE

PARAMETERS	LCD	VALUE
Maximum heating system pressure limit	P16	
ΔT heating delivery/return due to reduction of pump speed	P17	
Adjusting maximum domestic hot water temperature	P18	
Adjusting minimum temperature of domestic hot water	P19	
Minimum closing flow rate of the DHW flow switch (ON)	P20	
Minimum opening flow rate of the DHW flow switch (OFF)	P21	
Ignition delay in DHW mode	P22	
Burner shut-off as a function of DHW temperature	P23	
Burner ignition as a function of DHW temperature	P24	
DHW pre-heating mode	P25	
DHW post-heating mode (at end of DHW)	P26	
Adjusting output power in DHW mode (%)	P27	
Adjusting maximum DHW temperature in anti-legionella function (°C) (only for boilers with a sensor)	P28	
Anti-legionella function activation frequency (days)	P29	
Reset (restores factory settings)	P30	
Chimney sweep	P31	
Adjusting the minimum power in DHW mode (%)	P32	

PARAMETERS	LCD	VALUE
Regulation of the minimum power in heating mode (%)	P33	
Maintenance intervals (months)	P34	
Antifreeze activation temperature	P35	
Antifreeze deactivation temperature	P36	
Antifreeze activation temperature with external sensor	P37	
External relay operating mode 1 (0 =OFF, 1 =Zone by remote, 2 =Alarm)	P38	
External relay operating mode 2 (0 =OFF / TA2=OFF, 1 =Zone heat. 2 / TA2 active, 2 = EVG ext / TA2 Active, 3 = Anomaly / TA2 Active, 4 =Remote filling / TA2 active)	P39	
Size shown on the display during operation (0 =T.CH or T.DHW, 1 =only T.CH, 2 =only T.DHW, 3 =CH pressure, 4 =T.ext)	P40	
Messages display (0 all, 1 =boiler status and errors, 2 =boiler status only)	P41	
Not used	P42	-----
Not used	P43	-----
Not used	P44	-----
Not used	P45	-----
Not used	P46	-----
Not used	P47	-----
Not used	P48	-----
Not used	P49	-----
Not used	P50	-----

MAINTENANCE

PARAMETERS	LCD	VALUE
Not used	P51	-----
Chimney diaphragm	P52	
Fan speed at maximum	P53	
Fan speed at minimum	P54	
Ignition power	P55	
Gas valve management	P56	
Type of external sensor	P57	

Figure 9.27

- Enter “programming mode” by pressing the 12 and 14 keys simultaneously for 5 seconds (Figure 9.28) until **HiS** (Boiler History) appears on the LCD display (Figure 9.29).

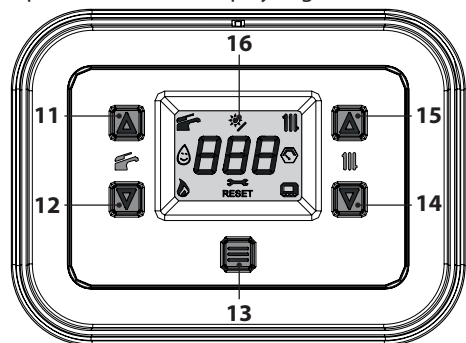


Figure 9.28

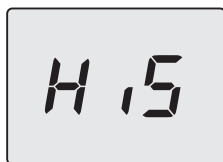


Figure 9.29

- Scroll through the various menus by pressing the keys 12 (back) or 14 (forward), until **PAr** (Parameters menu) appears on the LCD display (Figure 9.30).



Figure 9.30

- Press the 13 key for 1 second to enter the selected menu.

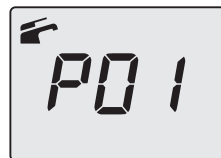


Figure 9.31

- Press the 13 key for 1 second (Figure 9.28) to enter the selected parameter. The display will show the following (**11**=M300V.1616 SV, **13**=M300V.2025 SV or **15**=M300V.3035 SV) (Figure 9.32).

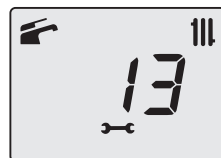
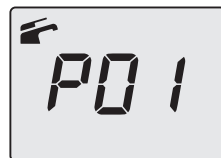


Figure 9.32

- By pressing the keys 12 and 14 simultaneously (Figure 9.28) exits the level without changing the value (return to the previous level Figure 9.31).

MAINTENANCE

- Scroll through the various parameters by pressing the keys 12 (back) or 14 (forward), until **P02**, which alternates with the parameter value, appears on the LCD display.
- Repeat the previous steps to display the value and proceed to the next parameter.
- Set the following parameters:

PARAMETERS	LCD	VALUE
Type of gas	P02	G20 = 00
		G31 = 01
User interface	P03	00
Type of domestic hot water exchanger	P04	01
Type of primary circuit control device	P05	03
Type of DHW flow control device	P06	04 - 05 (*)

(*) 04 = Tank with NTC probe

05 = Boiler with thermostat/heating only

To exit the parameters menu:

- wait 15 minutes without pressing any key;
- switch off the electric power supply;
- press the 12 and 14 keys simultaneously for 5 seconds (Figure 9.28) (return to previous level).

Enter the **CAF** menu (Automatic calibration) and start calibration. See paragraph "Automatic calibration of the gas valve" on page 64.

BOILER DISPOSAL AND RECYCLING

10 BOILER DISPOSAL AND RECYCLING

The boiler and any accessories must be disposed of correctly, recycling the different materials where possible.

The installer must dispose of the packaging used to transport the boiler.



Please observe the regulations currently in force regarding recycling and disposing of the boiler and any accessories.

For electronic appliances specifically, please see Directive 2012/19/EU and ANNEX IX of the Italian Decree transposing this Directive, DL49/14.





17962.3443.0_EN 3121 80A5 EN

BSG Caldaie a Gas S.p.a.

*Registered office, sales and administrative
headquarters, plant and technical support*

33170 PORDENONE (Italy) – Via Pravolton, 1/b



+39 0434.238311



+39 0434.238312



www.biasi.it

Sales headquarters



+39 0434.238400

Technical support



+39 0434.238387

This manual replaces previous versions.

In order to constantly improve its products, BSG Caldaie a Gas S.p.A. reserves the right to change the data provided in this manual at any time and without notice. Product warranty pursuant to Leg. Decree. no. 24/2002